



Quality Access Doors- FAST!

# SUBMITTAL/TECHNICAL DATA SHEET

## DESCRIPTION

A Specialty Two Hour Fire-rated Door for Laundry or Garbage Chute Access. The Wider 1-3/4" Flange Covers Opening Edges and the Handle Provides Easy Access to the Chute. Optional Smoke Gasket is Available for Garbage Chute Installations

## SPECIFICATION

**MATERIALS:** Satin finish galvanized steel or 304 stainless steel

**FRAME:** 16 ga (1.61mm) steel with mounting holes. Depth "D"= 2-3/4" (70mm)

**FLANGE:** Width 1-3/4" (45mm) with a 3/8" (9.52mm) return

**DOOR PANEL:** 18 ga (1.31mm) with 22 ga (0.85mm) liner

**INSULATION:** The door panel contains 1-1/2" (38mm) of high temperature insulation material

**FINISHES:** Rust inhibitive white prime coat or a No. 4 polished stainless steel finish on exterior surface

**HINGES:** The continuous stainless steel piano hinge is designed to secure the door panel and open to 180°. The hinge is placed on the long side of the door ("H" dimension) unless otherwise requested

**PANEL CLOSER:** Listed concealed door closure that self-closes and latches the door as required by NFPA 80

**LATCH:** The standard factory installed latch is a non-locking (N) chrome "T" handle. Interior latch release optional

**SIZES:** Made to Order. Minimum Size is 16" x 16", Maximum Size 30" x 30"

**CLEAR OPENING:** Width minus 1-1/4", Height minus 1-1/4"

**FIRE RATING:** 2 Hour Fire Rating for vertical installation only  
Temp Rise Max: 139°C / 250° F at 30 Min  
250° C / 450° F at 60 Min

### LATCH AND LOCK OPTIONS

Optional Mortise Lock (MPI)



For a complete list of options visit [www.BestAccessDoors.com](http://www.BestAccessDoors.com)

SKU: **BA-F2DL**

**2 HOUR FIRE-RATED  
LAUNDRY/GARBAGE DOOR**

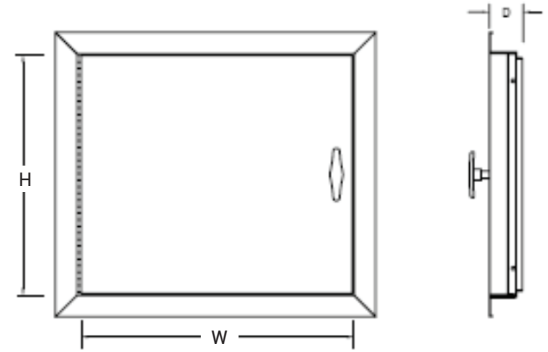
FOR WALLS



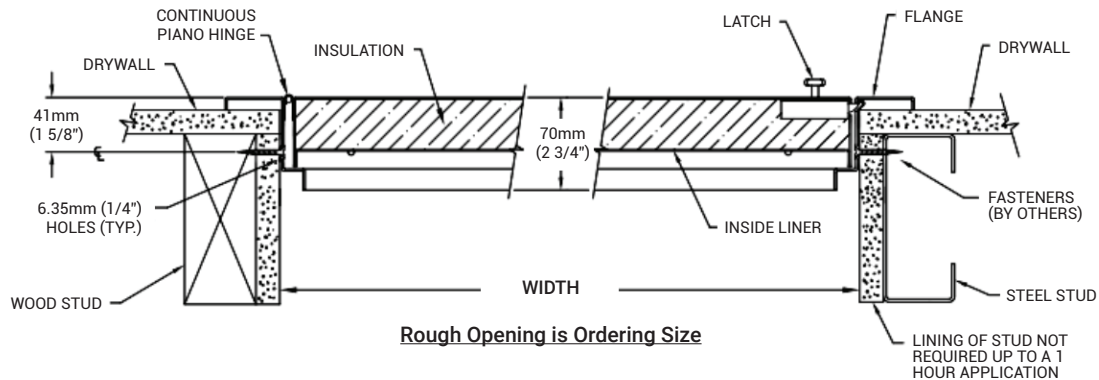
## ■ DIMENSIONS AND APPEARANCE >> CLICK TO VIEW ADDITIONAL DETAILS AND PRICING <<

Rough Opening is Order Size W x H (H=Hinge Side)		No. of Latches/Locks	Approx Weight Kgs	Approximate Weight Lbs.
Inches	Metric(mm)			
<b>16 x 16</b>	406 x 406	1	07.71	17
<b>18 x 18</b>	457 x 457	1	09.07	23
<b>18 x 24</b>	457 x 610	1	11.34	25
<b>22 x 30</b>	559 x 762	1	16.10	37
<b>24 x 24</b>	610 x 610	1	13.60	30
<b>24 x 30</b>	610 x 762	1	17.00	39
<b>30 x 30</b>	762 x 762	1	19.50	43

Clear Opening = W minus 1-1/4" (39mm)  
H minus 1-1/4" (39mm)  
Minimum size 16" x 16", Maximum size 30" x 30"



Other sizes available upon request for all Models.  
Second dimension given is the hinge side (shown in **Bold**) unless otherwise specified



## ■ PROJECT DATA

Custom Sizes Available - Fast!

PROJECT NAME :	QTY	W	H	OPTIONS
ARCHITECT :				
DEALER :				
CONTRACTOR :				
LOCATION :	SPECIAL INSTRUCTIONS :			
DATE :	SUBMITTAL APPROVAL : (signature or stamp)			
TAGGING INSTRUCTIONS :				

Scan or Click



To view Pricing and Additional Product Info.

TELEPHONE:  
1-800-483-0823  
FAX:  
1-888-828-6021



228 PARK AVE. S. #76520  
NEW YORK, NY, 10003



WEBSITE:  
[www.BestAccessDoors.com](http://www.BestAccessDoors.com)  
E-MAIL:  
[info@bestaccessdoors.com](mailto:info@bestaccessdoors.com)