



Quality Access Doors- FAST!

SUBMITTAL/TECHNICAL DATA SHEET

SKU: **BA-AL-9500**

SPECIALTY DOORS

ANTI LIGATURE ACCESS DOOR



APPLICATION

- Designed for Anti-Ligature Installation
- Designed to provide a fully gasketed fit in all types of walls and ceilings
- This door is commonly used in prisons, correctional facilities, psychiatric Hospitals, etc.

FEATURES

- Fully gasketed access door
- Formed door panel with reinforced edges and a concealed hinge, Fully welded frame flange, radiused corners along with closed cell gasket between the door and frame
- Fully welded frame flange, radiused corners

SPECIFICATIONS

DOOR / DOOR FRAME: Stainless Steel or Steel: 14 gauge door, 14 gauge mounting frame, flange to be 1" wide

HINGE: Concealed

GASKET: Pemko S88 adhesive-backed bulb silicone gasket

STANDARD LATCH: Tamper-proof spanner head cam latch

OPTIONAL LATCHES/LOCKS: Torx head, Cylinder Lock, Mortise Lock

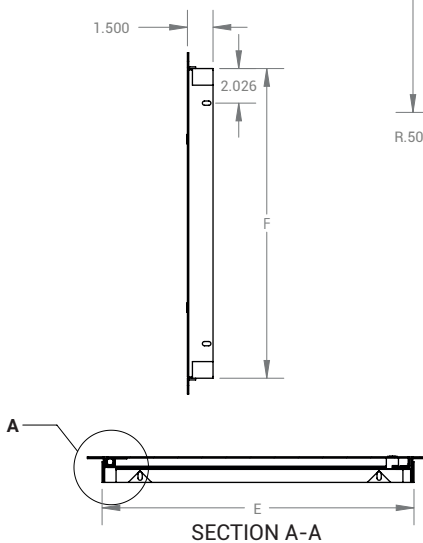
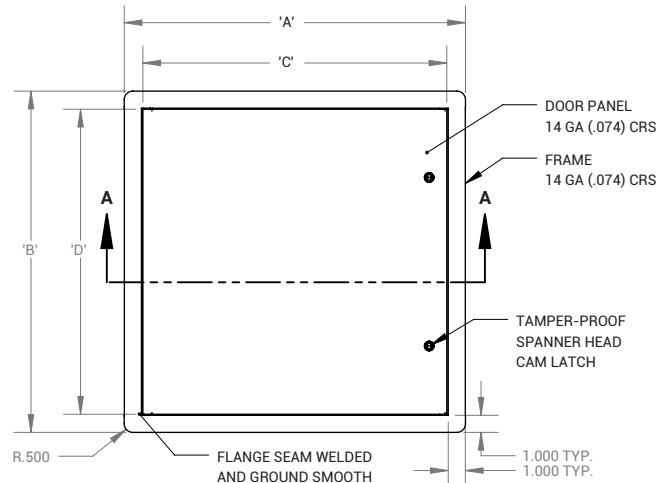
FINISH: Stainless steel: #4 satin polish. Steel: 5 stage iron phosphate with prime coat of White alkyd baked-on enamel

■ DIMENSIONS AND APPEARANCE >> CLICK TO VIEW ADDITIONAL DETAILS AND PRICING <<

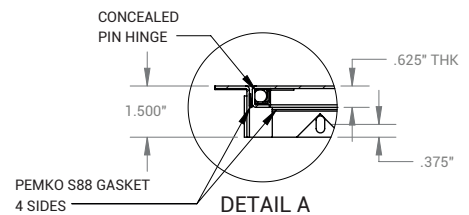
STANDARD SIZES:

DOOR SIZE W x H INCHES (MM)	WEIGHT LBS	KG
12 x 12 (305 x 305)	6.0	2.70
16 x 16 (406 x 406)	10.0	4.50
18 x 18 (457 x 457)	11.5	5.10
24 x 24 (609 x 609)	19.0	8.40
24 x 36 (609 x 914)	28.0	12.4

Wall or ceiling opening is nominal door size + 3/8" (9 mm)



MANUFACTURED BY ACUDOR



For a complete list of options visit www.BestAccessDoors.com

■ PROJECT DATA

Custom Sizes Available - Fast!

Scan or Click



PROJECT NAME :	QTY	W	H	OPTIONS
ARCHITECT :				
DEALER :				
CONTRACTOR :				
LOCATION :	SPECIAL INSTRUCTIONS :			
DATE :	SUBMITTAL APPROVAL : (signature or stamp)			
TAGGING INSTRUCTIONS :				

To view Pricing and Additional Product Info.

TELEPHONE:
1-800-483-0823
FAX:
1-888-828-6021



228 PARK AVE. S. #76520
NEW YORK, NY, 10003



WEBSITE:
www.BestAccessDoors.com
E-MAIL:
info@BestAccessDoors.com

BA-AL-9500

ANTI-LIGATURE ACCESS DOOR

NOMINAL SIZE	A	B	C	D	E	F	LOCK QTY
12 x 12 (305mm x 305mm)	14.000 (355mm)	14.000 (355mm)	11.812 (300mm)	11.876 (301mm)	12.279 (312mm)	12.148 (312mm)	1
16 x 16 (406mm x 406mm)	18.000 (457mm)	18.000 (457mm)	15.812 (401mm)	15.876 (403mm)	16.279 (413mm)	16.148 (413mm)	2
18 x 18 (457mm x 457mm)	20.000 (508mm)	20.000 (508mm)	17.812 (452mm)	17.876 (454mm)	18.279 (464mm)	18.148 (464mm)	2
24 x 24 (609mm x 608mm)	26.000 (660mm)	26.000 (660mm)	23.812 (604mm)	23.876 (606mm)	24.279 (617mm)	24.148 (617mm)	2
24 x 36 (609mm x 914mm)	26.000 (660mm)	38.000 (965mm)	23.812 (604mm)	37.876 (911mm)	24.279 (617mm)	36.148 (617mm)	2

