



Quality Access Doors- FAST!

# SUBMITTAL/TECHNICAL DATA SHEET

## APPLICATION

Provides easy access to all types of valves and controls that need to be concealed in the wall, but protected by a fully enclosed box

## FEATURES

- The depth of the valve box can be modified to meet all the valve and control requirements
- When required, vision panels, louvers, engrave plates can be supplied, along with special holes for pipes or conduits

## SPECIFICATIONS

**MATERIAL:** Stainless Steel or Steel: 16 gauge door, frame, box

**DOOR:** 16 gauge, flush to frame rounded safety corners

**FRAME:** 16 gauge, one piece outer flange welded to box

**BOX:** 16 gauge, fully enclosed, completely attached to frame. When required box can be made with open back.

**HINGE:** Continuous, concealed

**LATCH:** Cylinder lock & key, Also available: screwdriver operated cam latch, spanner head cam latch, flush paddle handle, thumb turn latch.

**FINISH:** Stainless Steel: Type 304 - #4 satin polish. Steel: 5 stage iron phosphate preparation with prime coat of White alkyd baked enamel

SKU: **BA-ARVB-SS**

## RECESSED VALVE BOXES

STAINLESS STEEL



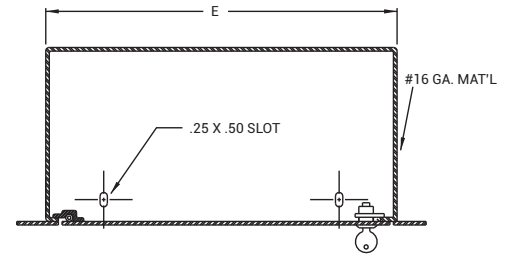
## DIMENSIONS AND APPEARANCE

>> CLICK TO VIEW ADDITIONAL DETAILS AND PRICING <<

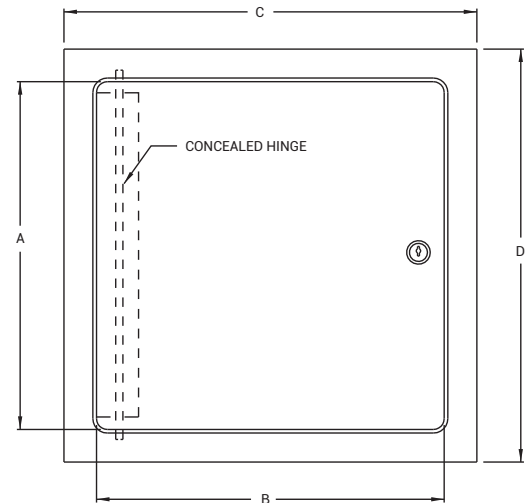
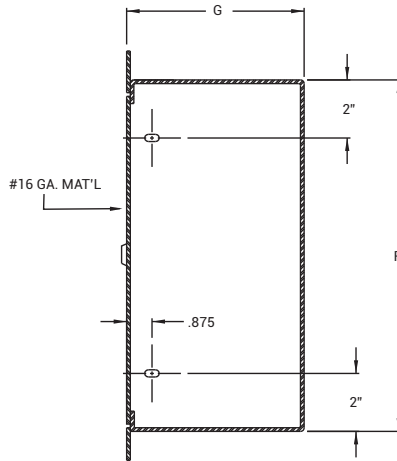
### STANDARD SIZES:

DOOR SIZE W x H INCHES (MM)	OPENING	WEIGHT	
		LBS	KG
8 x 8 x 4 (203 x 203 x 102)	1	5	2.3
8 x 8 x 6 (203 x 203 x 152)	1	7	3.2
8 x 8 x 8 (203 x 203 x 203)	1	9	4.1
12 x 12 x 4 (305 x 305 x 102)	1	9	4.1
12 x 12 x 6 (305 x 305 x 152)	1	12	5.5
12 x 12 x 8 (305 x 305 x 203)	1	14	6.4

Wall opening is  $W + 3/8"$  (9 mm)  
For detailed specifications see submittal sheet



MANUFACTURED BY ACUDOR



For a complete list of options visit [www.BestAccessDoors.com](http://www.BestAccessDoors.com)

## PROJECT DATA

Custom Sizes Available - Fast!

Scan or Click



To view Pricing and Additional Product Info.

PROJECT NAME :	QTY	W	H	OPTIONS
ARCHITECT :				
DEALER :				
CONTRACTOR :				
LOCATION :	SPECIAL INSTRUCTIONS :			
DATE :				
TAGGING INSTRUCTIONS :	SUBMITTAL APPROVAL : (signature or stamp)			

TELEPHONE:  
1-800-483-0823  
FAX:  
1-888-828-6021



228 PARK AVE. S. #76520  
NEW YORK, NY, 10003



WEBSITE:  
[www.BestAccessDoors.com](http://www.BestAccessDoors.com)

E-MAIL:  
[info@bestaccessdoors.com](mailto:info@bestaccessdoors.com)

# BA-ARVB-SS

# STAINLESS STEEL RECESSED VALVE BOXES

NOMINAL DOOR SIZE	A	B	C	D	E	F	G	LOCK
8 x 8 x 4 (203 x 203 x 102)	7.45 (189)	7.45 (189)	9.62 (244)	9.62 (244)	8.25 (210)	8.25 (210)	4	1
8 x 8 x 6 (203 x 203 x 152)	7.45 (189)	7.45 (189)	9.62 (244)	9.62 (244)	8.25 (210)	8.25 (210)	6	1
8 x 8 x 8 (203 x 203 x 203)	7.45 (189)	7.45 (189)	9.62 (244)	9.62 (244)	8.25 (210)	8.25 (210)	8	1
12 x 12 x 4 (305 x 305 x 102)	11.45 (291)	11.45 (291)	13.62 (346)	13.62 (346)	12.25 (311)	12.25 (311)	4	1
12 x 12 x 6 (305 x 305 x 152)	11.45 (291)	11.45 (291)	13.62 (346)	13.62 (346)	12.25 (311)	12.25 (311)	6	1
12 x 12 x 8 (305 x 305 x 203)	11.45 (291)	11.45 (291)	13.62 (346)	13.62 (346)	12.25 (311)	12.25 (311)	8	1

