



Quality Access Doors- FAST!

SUBMITTAL/TECHNICAL DATA SHEET

DESCRIPTION

Water Tight Well Hatch is designed for water-tightness up to 10 foot water column and 625psf load capacity. With waterproof gaskets and pressure locks, this hatch design is ideal for wells and areas prone to flooding.

FEATURES

- Pressure Locks.
- Surface Mount.
- Water and Odor Resistant Gasket.
- Submersible.

SPECIFICATIONS

LOAD: 625psf live load

DOOR: Single Leaf

MATERIAL: Aluminum 3/16 inch, mill finish.

COVER: Diamond tread plate.

FRAME: Angle.

INSTALLATION: Surface mount, mechanically fastened.

HINGE: Heavy duty Type 316 Stainless Steel butt hinges.

HOLD OPEN ARM: Type 316 Stainless Steel automatic hold open arm locks cover in open position.

LATCH: Type 316 Stainless Steel pressure locks.

GASKET: EPDM rubber gasket seal, water and odor resistant

TESTING: 10 foot hydro static pressure.

MINIMUM SIZE: 24 in. by 24 in.

MAXIMUM SIZE: 42 in. by 42 in.

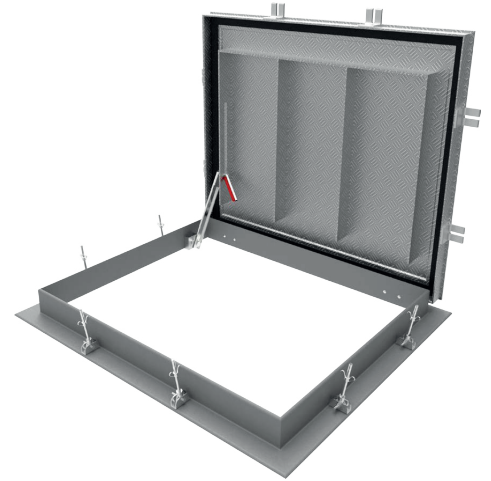
OPTIONS: Padlock Hasps, Locks, Finishes, Gasket, Safety Grates, Safety Nets, Safety Rails, Skirting.

WARRANTY: 5 year

For a complete list of options visit www.BestAccessDoors.com

SKU: BA-BFDWTA

625PSF WATER TIGHT WELL HATCH



DIMENSIONS AND APPEARANCE

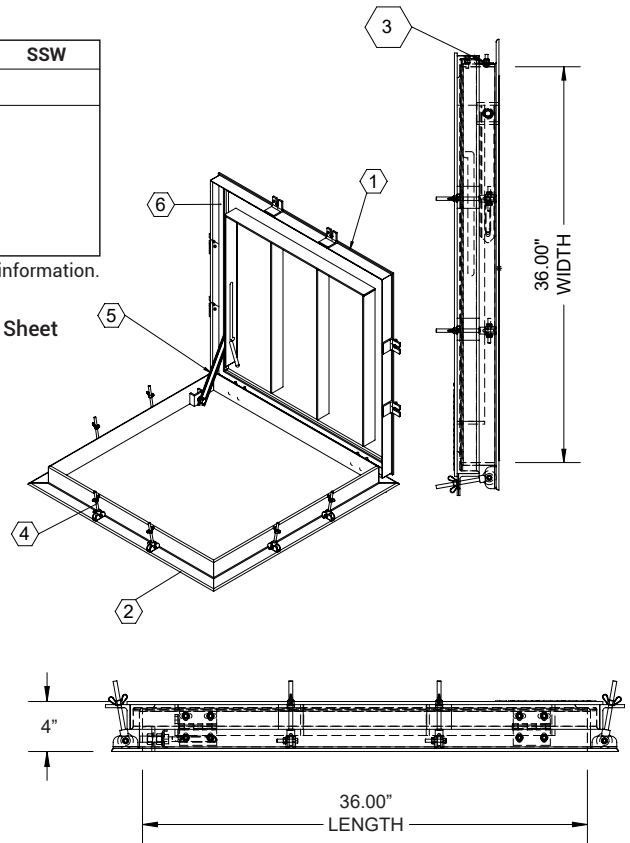
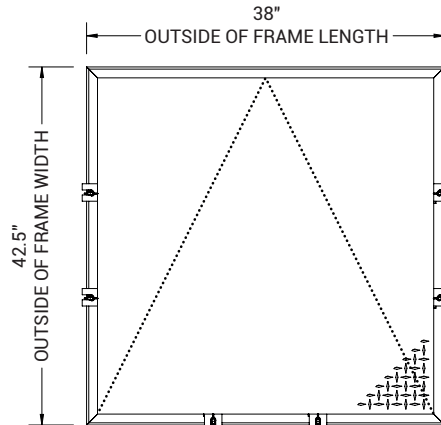
>> CLICK TO VIEW ADDITIONAL DETAILS AND PRICING <<

ORDER GUIDE:

MODEL	WIDTH	X	LENGTH	SSW
BFDWTA				
	SINGLE DOOR			
	24" X 24"			
	30" X 36"			
	36" X 36"			
	42" X 42"			

Additional sizes and options available, call for more information.

For Detailed Specifications See Submittal Sheet



PROJECT DATA

Custom Sizes Available - Fast!

Scan or Click



To view Pricing and Additional Product Info.

PROJECT NAME :	QTY	W	H	OPTIONS
ARCHITECT :				
DEALER :				
CONTRACTOR :				
LOCATION :	SPECIAL INSTRUCTIONS :			
DATE :	SUBMITTAL APPROVAL : (signature or stamp)			
TAGGING INSTRUCTIONS :				

TELEPHONE:
1-800-483-0823

FAX:
1-888-828-6021



228 PARK AVE. S. #76520
NEW YORK, NY, 10003

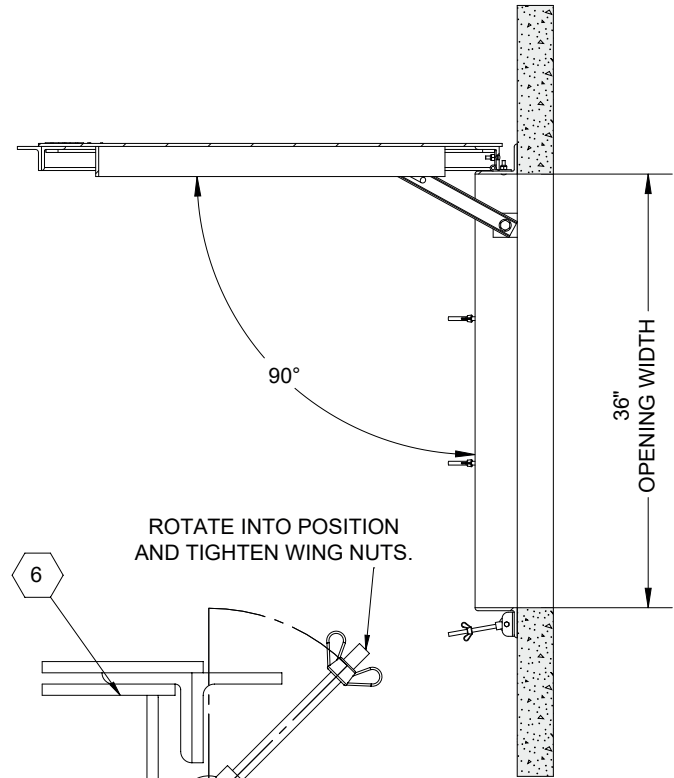
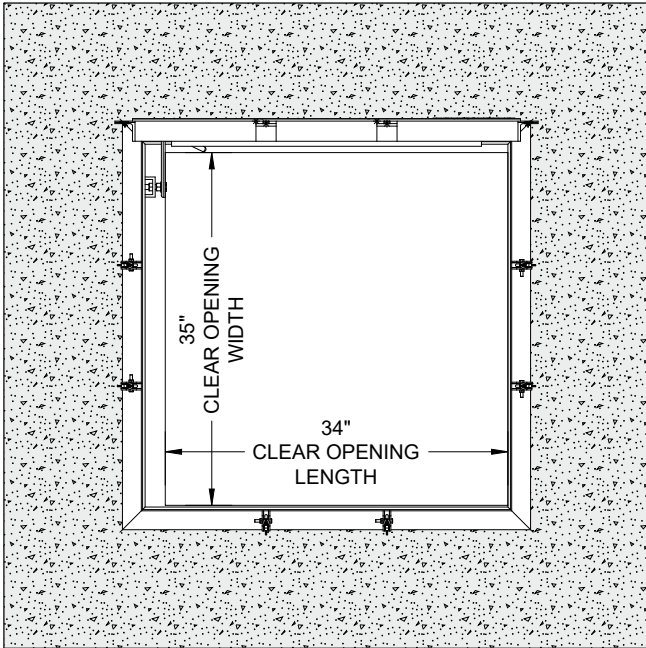


WEBSITE:
www.BestAccessDoors.com

E-MAIL:
info@bestaccessdoors.com

BA-BFDWTA

625PSF WATER TIGHT WELL HATCH



PRESSURE LOCK LATCH DETAIL

SPECIFICATIONS:

- ① **DOOR:** ALUMINUM, 1/4" DIAMOND PLATE, MILL FINISH WITH A LIVE LOAD OF 625 PSF WITH A MAXIMUM DEFLECTION OF L/160.
- ② **FRAME:** ALUMINUM, 1/4" EXTRUSION, MILL FINISH.
- ③ **HINGES:** TYPE 316 STAINLESS STEEL.
- ④ **PRESSURE LOCK LATCHES:** TYPE 316 STAINLESS STEEL .
- ⑤ **HOLD-OPEN ARM:** : TYPE 316 STAINLESS STEEL WITH RED VINYL GRIP HANDLE.
- ⑥ **WATER TIGHT GASKET:** EPDM, AROUND ENTIRE HATCH.
- ⑦ **CERTIFICATIONS:** TESTED TO BE WATER TIGHT UNDER APPLIED PRESSURE OF A 10 FOOT COLUMN OF WATER.

FLOOR DOOR SIZE:

36" (WIDTH) x 36" (LENGTH)

CLEAR UNOBSTRUCTED OPENING:

35" (WIDTH) x 34" (LENGTH)

OPENING:

36" (WIDTH) x 36" (LENGTH)

