



Quality Access Doors- FAST!

SUBMITTAL/TECHNICAL DATA SHEET

DESCRIPTION

Equipment Roof Hatch is engineered to accommodate extra large equipment access through roofs. With options like curb mounting and varied curb heights Babcock-Davis is sure to meet your equipment servicing needs.

FEATURES

- Largest Opening
- Optional Stainless Steel Hardware and Materials

SPECIFICATIONS

MATERIAL: Aluminum: 11 gauge
Steel: 14 gauge galvalume
Stainless Steel: 14 gauge Type 304

FINISH: Powder coat (steel), Mill (aluminum) or 2B Matte (stainless steel).

COLOR: Red Oxide (steel).

COVER: Formed aluminum metal cover withstands a live load of 40psf with a maximum deflection of 1/150 the span.

CURB: Single wall curb with EZ tab counterflash and mounting flange.

INSULATION: 1" polystyrene in cover and fiberboard around curb.

GASKET: Extruded EPDM adhesive backed gasket seal, continuous around cover.

SPRING: Zinc plated steel tamper-proof hinges contained within spring assembly, includes steel compression springs.

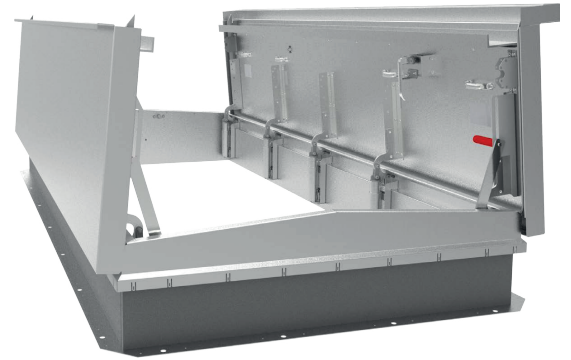
HOLD OPEN ARM: Zinc plated steel automatic hold open arm locks cover in open position.

LATCH: Zinc plated steel latch with exterior and interior turn handles and padlock hasps.

WARRANTY: 5 year

For a complete list of options visit www.BestAccessDoors.com

SKU: **BA-BRHES-D**
EQUIPMENT HATCH



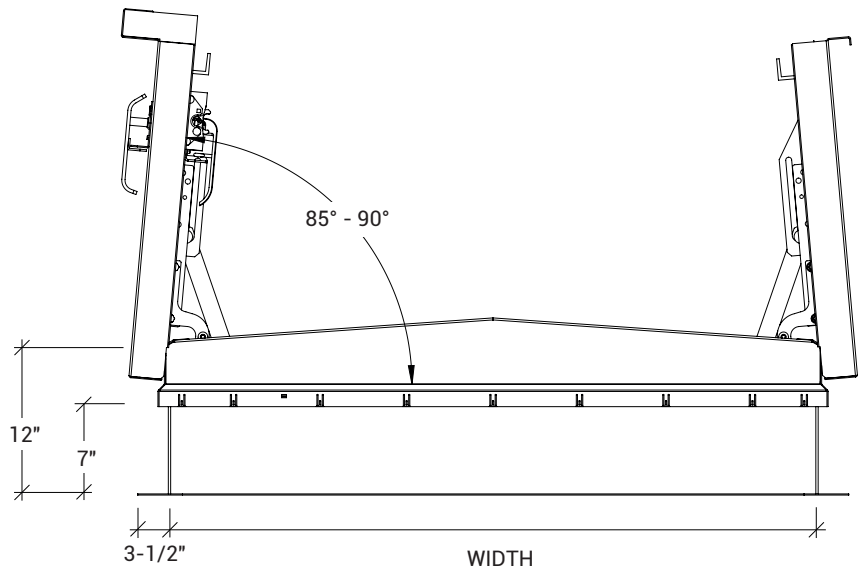
DIMENSIONS AND APPEARANCE

>> [CLICK TO VIEW ADDITIONAL DETAILS AND PRICING <<](#)

ORDER GUIDE:

| MODEL | | | SIZE (IN.) | DOOR | CURB |
|------------------|----------------|-----------------|------------|--------|-------------|
| GALVANIZED STEEL | ALUMINUM | STAINLESS STEEL | | | |
| BRHEG48X48S1T | BRHEA48X48S1T | BRHES48X48S1T | 48 X 48 | SINGLE | SINGLE WALL |
| BRHEG60X60D1T | BRHEA60X60D1T | BRHES60X60D1T | 60 X 60 | DOUBLE | SINGLE WALL |
| BRHEG72X72D1T | BRHEA72X72D1T | BRHES72X72D1T | 72 X 72 | DOUBLE | SINGLE WALL |
| BRHEG60X120D1T | BRHEA60X120D1T | BRHES60X120D1T | 60 X 120 | DOUBLE | SINGLE WALL |

Additional sizes and options available, call for more information



PROJECT DATA

Custom Sizes Available - Fast!

Scan or Click



To view Pricing and Additional Product Info.

| | | | | |
|------------------------|--|---|---|---------|
| PROJECT NAME : | QTY | W | H | OPTIONS |
| ARCHITECT : | | | | |
| DEALER : | | | | |
| CONTRACTOR : | | | | |
| LOCATION : | SPECIAL INSTRUCTIONS : | | | |
| DATE : | SUBMITTAL APPROVAL : (signature or stamp) | | | |
| TAGGING INSTRUCTIONS : | | | | |

TELEPHONE:
1-800-483-0823
FAX:
1-888-828-6021



228 PARK AVE. S. #76520
NEW YORK, NY, 10003



WEBSITE:
www.BestAccessDoors.com
E-MAIL:
info@bestaccessdoors.com