



Quality Access Doors - FAST!

SUBMITTAL/TECHNICAL DATA SHEET

DESCRIPTION

Equipment Roof Hatch is engineered to accommodate extra large equipment access through roofs. With options like curb mounting and varied curb heights Babcock-Davis is sure to meet your equipment servicing needs.

FEATURES

- Largest Opening
- Optional Stainless Steel Hardware and Materials

SPECIFICATIONS

MATERIAL: Aluminum: 11 gauge
Steel: 14 gauge galvalneal
Stainless Steel: 14 gauge Type 304

FINISH: Powder coat (steel), Mill (aluminum) or 2B Matte (stainless steel).

COLOR: Red Oxide (steel).

COVER: Formed aluminum metal cover withstands a live load of 40psf with a maximum deflection of 1/150 the span.

CURB: Single wall curb with EZ tab counterflash and mounting flange.

INSULATION: 1" polystyrene in cover and fiberboard around curb.

GASKET: Extruded EPDM adhesive backed gasket seal, continuous around cover.

SPRING: Zinc plated steel tamper-proof hinges contained within spring assembly, includes steel compression springs.

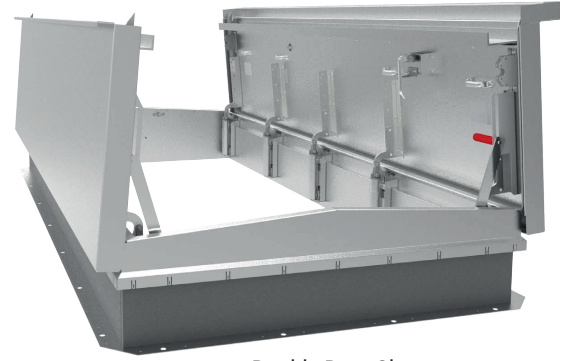
HOLD OPEN ARM: Zinc plated steel automatic hold open arm locks cover in open position.

LATCH: Zinc plated steel latch with exterior and interior turn handles and padlock hasps.

WARRANTY: 5 year

For a complete list of options visit www.BestAccessDoors.com

SKU: **BA-BRHES-S**
EQUIPMENT HATCH



Double Door Shown

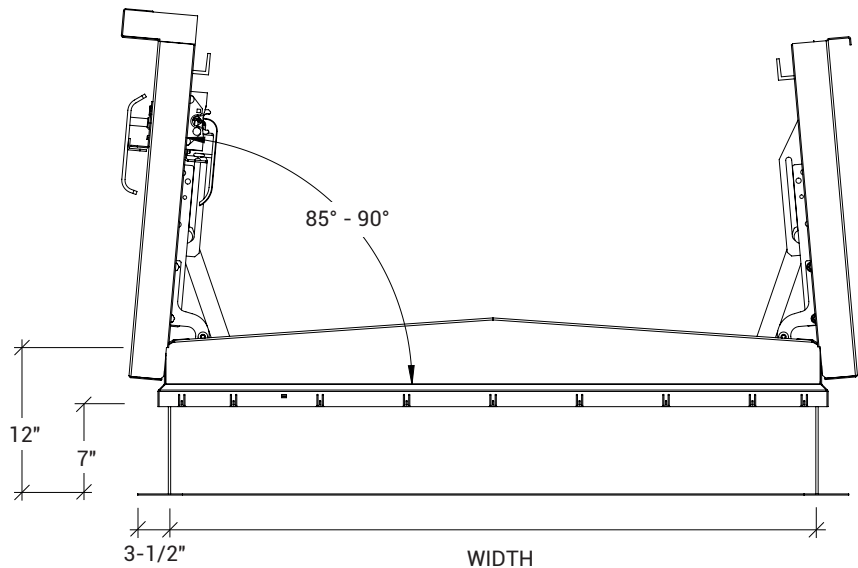
DIMENSIONS AND APPEARANCE

>> [CLICK TO VIEW ADDITIONAL DETAILS AND PRICING <<](#)

ORDER GUIDE:

MODEL			SIZE (IN.)	DOOR	CURB
GALVANIZED STEEL	ALUMINUM	STAINLESS STEEL			
BRHEG48X48S1T	BRHEA48X48S1T	BRHES48X48S1T	48 X 48	SINGLE	SINGLE WALL
BRHEG60X60D1T	BRHEA60X60D1T	BRHES60X60D1T	60 X 60	DOUBLE	SINGLE WALL
BRHEG72X72D1T	BRHEA72X72D1T	BRHES72X72D1T	72 X 72	DOUBLE	SINGLE WALL
BRHEG60X120D1T	BRHEA60X120D1T	BRHES60X120D1T	60 X 120	DOUBLE	SINGLE WALL

Additional sizes and options available, call for more information



PROJECT DATA

Custom Sizes Available - Fast!

Scan or Click



To view Pricing and Additional Product Info.

PROJECT NAME :	QTY	W	H	OPTIONS
ARCHITECT :				
DEALER :				
CONTRACTOR :				
LOCATION :	SPECIAL INSTRUCTIONS :			
DATE :				
TAGGING INSTRUCTIONS :	SUBMITTAL APPROVAL : (signature or stamp)			

TELEPHONE:
1-800-483-0823
FAX:
1-888-828-6021



228 PARK AVE. S. #76520
NEW YORK, NY, 10003



WEBSITE:
www.BestAccessDoors.com

E-MAIL:
info@bestaccessdoors.com