



Quality Access Doors- FAST!

# SUBMITTAL/TECHNICAL DATA SHEET

## DESCRIPTION

Designed for applications with heightened security, Babcock-Davis' Security Roof Hatch is constructed with heavy-duty materials, optional security grade locks and is ideal for prisons, banks, and water treatment facilities.

## FEATURES

- Powder Coat Finish
- Security Grade Materials
- Optional Locks
- Optional View Port

## SPECIFICATIONS

### MATERIAL:

Steel: 3/16 inch galvaneal  
Aluminum: 1/4 inch

FINISH: Powder coat (steel) or Mill (aluminum).

COLOR: Red Oxide (steel).

COVER: Formed metal cover with liner, stiffened to withstand a live load of 40psf with a max deflection of 1/150 the span.

CURB: Single wall curb with EZ tab counterflash and mounting flange with 5/8 inch and 3/16 inch holes.

INSULATION: 1 inch fiberboard in curb, 1 inch polystyrene in cover.

GASKET: Extruded EPDM adhesive backed gasket seal, continuous around cover.

SPRING: Zinc plated steel tamper-proof hinges contained within spring assembly, includes steel compression springs.

HOLD OPEN ARM: Zinc plated steel automatic hold open arm locks cover in open position.

LATCH: Zinc plated steel latch with exterior and interior turn handles and padlock hasps.

WARRANTY: 5 year

For a complete list of options visit [www.BestAccessDoors.com](http://www.BestAccessDoors.com)

Scan or Click



To view Pricing and Additional Product Info.



SKU: **BA-BRHSB**

## SECURITY ROOF HATCH

## DIMENSIONS AND APPEARANCE

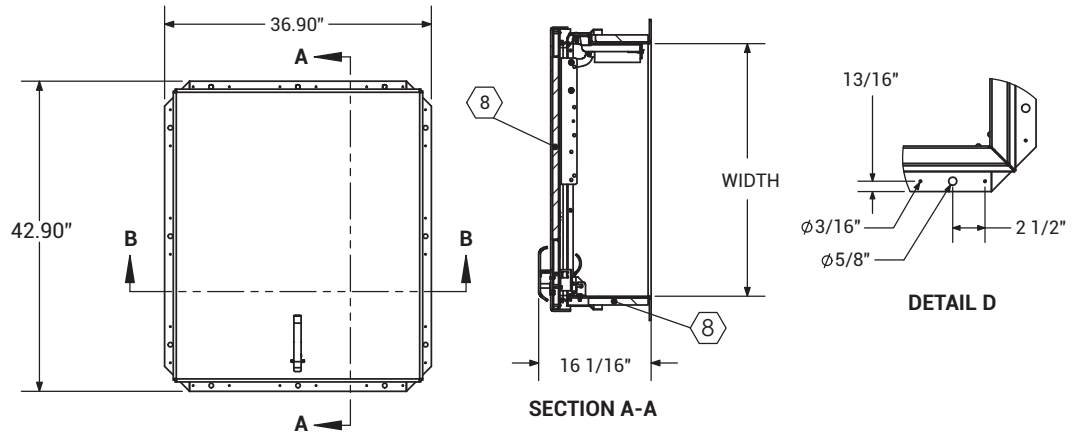
>> [CLICK TO VIEW ADDITIONAL DETAILS AND PRICING <<](#)

### ORDER GUIDE:

BASE	MATERIAL	WIDTH	X	LENGTH	CURB	OPTIONS
BRHS					S	T
	<b>A - Aluminum</b>	STANDARD SIZES (IN.)			<b>1 - SINGLE WALL</b> <b>2 - DOUBLE WALL</b> <b>3 - CURB MOUNT</b> <b>4 - DOUBLE WALL, NO COUNTER FLASH</b>	<b>D11 - BRINKS 7016 INT/EXT INSTALLED DETENTION LOCK</b> <b>D5A - SOUTHERN STEEL 1010AM INT/EXT PREP DETENTION LOCK</b> <b>MB1 - BEST INT/EXT INSTALLED MORTISE LOCK</b>
	<b>B - Aluminum Cover/Steel Curb</b>	LADDER	SHIP STAIR			
	<b>G - Steel</b>	36 X 30	30 X 54			
		36 X 36				<b>MB4 - BEST INT/EXT INSTALLED MORTISE LOCK WITH PLASTIC CORE</b> <b>MS1 - SCHLAGE INT/EXTERIOR INSTALLED MORTISE LOCK</b> <b>OW1 - 8" X 8" VIEWPORT WINDOW</b>

Additional sizes and options available, call for more information.

For Detailed Specifications See Submittal Sheet



## PROJECT DATA

Custom Sizes Available - Fast!

PROJECT NAME :	QTY	W	H	OPTIONS
ARCHITECT :				
DEALER :				
CONTRACTOR :				
LOCATION :	SPECIAL INSTRUCTIONS :			
DATE :	SUBMITTAL APPROVAL : (signature or stamp)			
TAGGING INSTRUCTIONS :				

TELEPHONE:  
1-800-483-0823  
FAX:  
1-888-828-6021



228 PARK AVE. S. #76520  
NEW YORK, NY, 10003

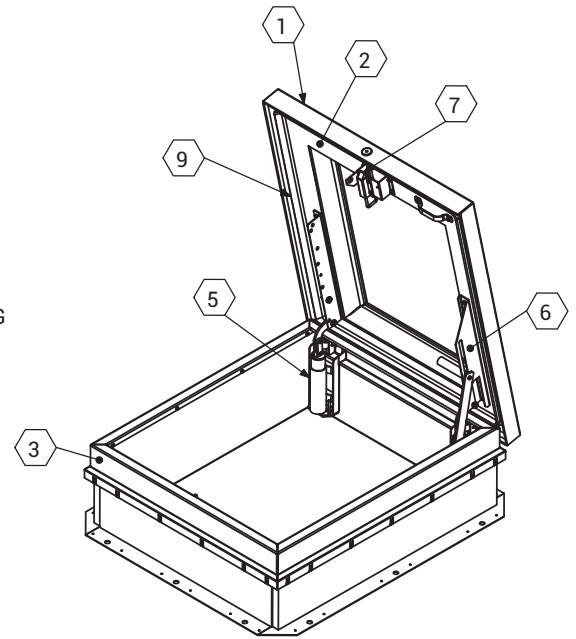
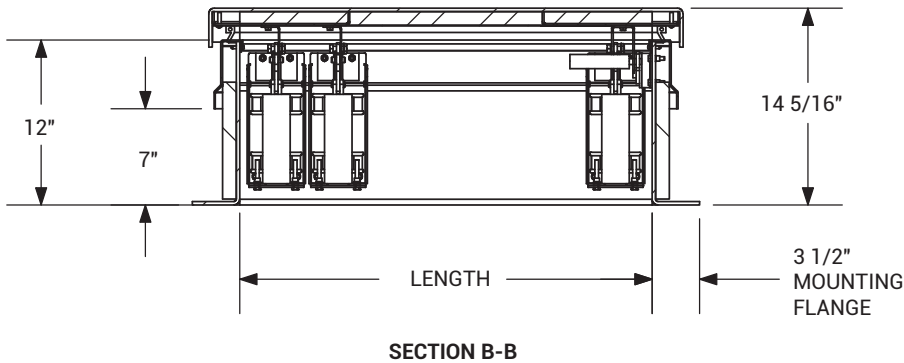


WEBSITE:  
[www.BestAccessDoors.com](http://www.BestAccessDoors.com)

E-MAIL:  
[info@bestaccessdoors.com](mailto:info@bestaccessdoors.com)

# BA-BRHSB

# SECURITY ROOF HATCH



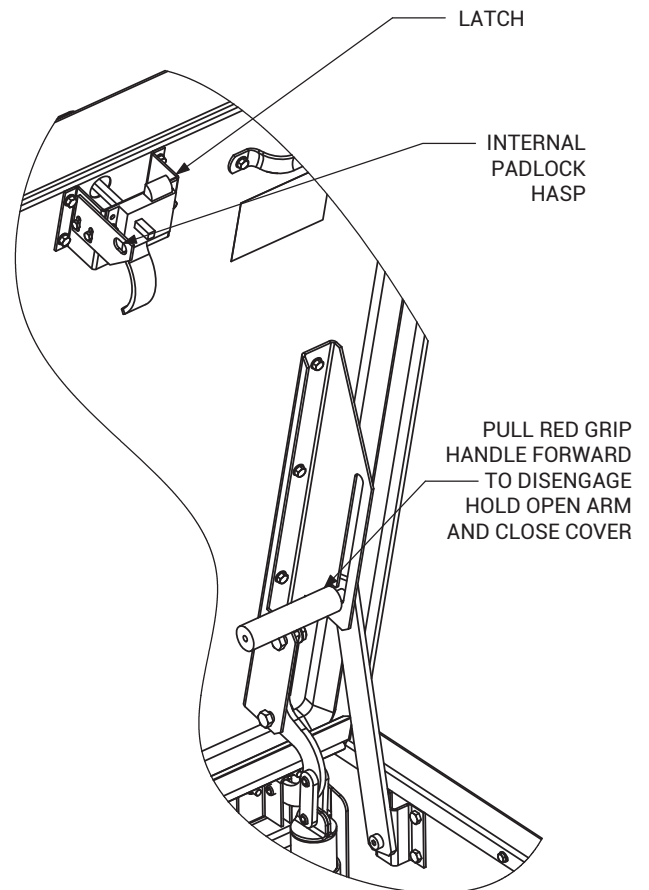
**SPECIFICATIONS:**

- ① COVER: 1/4" ALUMINUM COVER STIFFENED TO WITHSTAND A LIVE LOAD OF 40PSF WITH A MAX DEFLECTION OF 1/150 OF THE SPAN.
- ② LINER: 18 GA ALUM
- ③ CURB AND COUNTERFLASH WITH EZ TAB: 3/16" GA GALV STEEL
- ④ FINISH: RED OXIDE POWDER COAT
- ⑤ SPRING/HINGE ASSEMBLY: ZINC PLATED STEEL TAMPER-PROOF HINGE CONTAINED WITHIN SPRING/HINGE ASSEMBLY. TELESCOPIC TUBES CONTAIN COIL STEEL COMPRESSION SPRINGS FOR LIFT ASSISTANCE.
- ⑥ HOLD OPEN ARM: LOCKS COVER IN FULLY OPEN POSITION - ZINC PLATED STEEL WITH RED POLYPROPYLENE GRIP HANDLE PULL RELEASE.
- ⑦ LATCH: SINGLE POINT LATCH SLAM LATCH HOLDS COVER CLOSED AGAINST 20 PSF WIND UPLIFT. EXTERNAL PALM RELEASE INTERNAL RELEASE HANDLE WITH PADLOCK HASP.
- ⑧ INSULATION: 1" POLYSTYRENE (R4) IN COVER, AND 1" POLYISO (R6) IN CURB.
- ⑨ GASKET: ADHESIVE BACKED EPDM RUBBER EXTRUSION.
- ⑩ SIZING: WIDTH X LENGTH DIMENSIONS ARE MEASURED INSIDE CURB TO INSIDE CURB WHERE THE WIDTH IS HINGE TO LATCH AND LENGTH IS HINGED SIDE WITH SPRINGS

ROOF HATCH SIZE: 36" (WIDTH) x 30" (LENGTH).

CLEAR OPENING: 25.90" (WIDTH) x 29.50" (LENGTH).

ROUGH OPENING: 36" (WIDTH) x 30" (LENGTH).



**HARDWARE DETAILS**



# SUBMITTAL

TELEPHONE:  
1-800-483-0823  
FAX:  
1-888-828-6021

228 PARK AVE. S. #76520  
NEW YORK, NY, 10003

WEBSITE:  
www.BestAccessDoors.com  
E-MAIL:  
info@bestaccessdoors.com

Quality Access Doors- FAST!

# BA-BRHSB

# SECURITY ROOF HATCH

