



Quality Access Doors - FAST!

SUBMITTAL/TECHNICAL DATA SHEET

DESCRIPTION

Tile Ready Access Door is fire-rated, uninsulated and provides access through openings in vertical surfaces for ceramic tile applications. When installed, the door and frame is concealed, providing an aesthetically pleasing appearance.

FEATURES

- Fire-Rated
- Self-Closing
- Tile Wall Installation
- Custom Sizing

SPECIFICATIONS

MODEL: BRUT/BRUW

DOOR: 14 gauge Steel

FRAME: 16 gauge Steel

SIZE:

Min: 10 inches by 10 inches

Max: 24 inches by 24 inches

INSTALLATION: Wall

FLANGE: 1 inch Exposed or Drywall Bead

HINGE: Cabinet

CERTIFICATION: UL listed "B" label for 1-1/2 hours

WARRANTY: 1 year

OPTIONS: Flanges, Latches, and Materials



SKU: BA-BRUW

FIRE-RATED TILE READY DOOR

WITH DRYWALL BEAD FLANGE



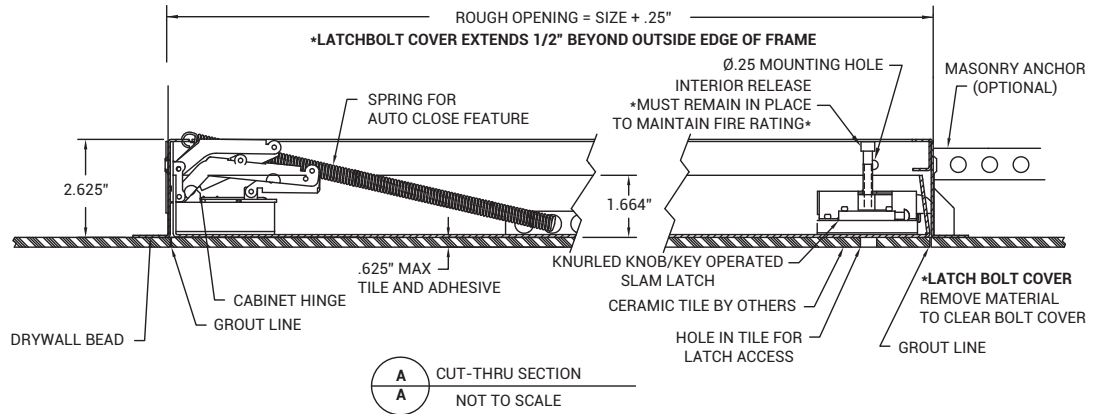
DIMENSIONS AND APPEARANCE

>> CLICK TO VIEW ADDITIONAL DETAILS AND PRICING <<

ORDER GUIDE:

BASE	FLANGE	LATCH	WIDTH	X	LENGTH	OPTIONS
BRU				X		
	T 1 inch Flange	K Knurled Knob / Key Operated Latch Bolt	STANDARD SIZES			S Stainless Steel, Type 304
	W Drywall Bead	M Mortise Lock Prep (1-1/8")	10" X 10"		18" X 18"	
			12" X 12"		24" X 24"	
			16" X 16"			

Rough opening is door size + 1/4 inch minimum.
Additional sizes available.



For detailed specifications see submittal sheet

For a complete list of options visit www.BestAccessDoors.com

PROJECT DATA

Custom Sizes Available - Fast!

Scan or Click



To view Pricing and Additional Product Info.

PROJECT NAME :	QTY	W	H	OPTIONS
ARCHITECT :				
DEALER :				
CONTRACTOR :				
LOCATION :	SPECIAL INSTRUCTIONS :			
DATE :				
TAGGING INSTRUCTIONS :	SUBMITTAL APPROVAL : (signature or stamp)			

TELEPHONE:
1-800-483-0823

FAX:
1-888-828-6021



228 PARK AVE. S. #76520
NEW YORK, NY, 10003



WEBSITE:
www.BestAccessDoors.com

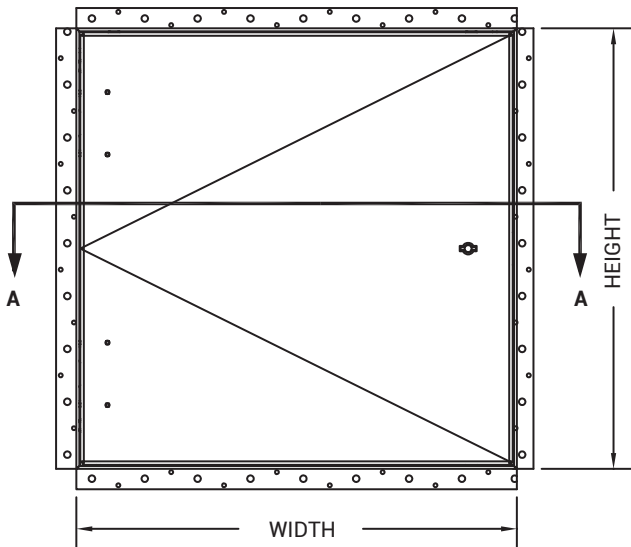
E-MAIL:
info@bestaccessdoors.com

BA-BRUW

FIRE-RATED TILE READY DOOR WITH DRYWALL BEAD FLANGE

STANDARD SIZES (Inches)	STANDARD SIZES (mm)	Weight/Latches	STANDARD SIZES (Inches)	STANDARD SIZES (mm)	Weight/Latches
10" x 10"	254 x 254	8/1	16" x 16"	406 x 406	12/1
12" x 12"	305 x 305	9/1	18" x 18"	457 x 457	14/1
12" x 18"	305 x 457	13/1	18" x 24"	457 x 610	19/1
12" x 24"	305 x 610	14/1	24" x 24"	610 x 610	21/1

All units are hinged on the second dimension (height). Rough opening is size plus 1/4". These access doors are designed for use in wall applications only.



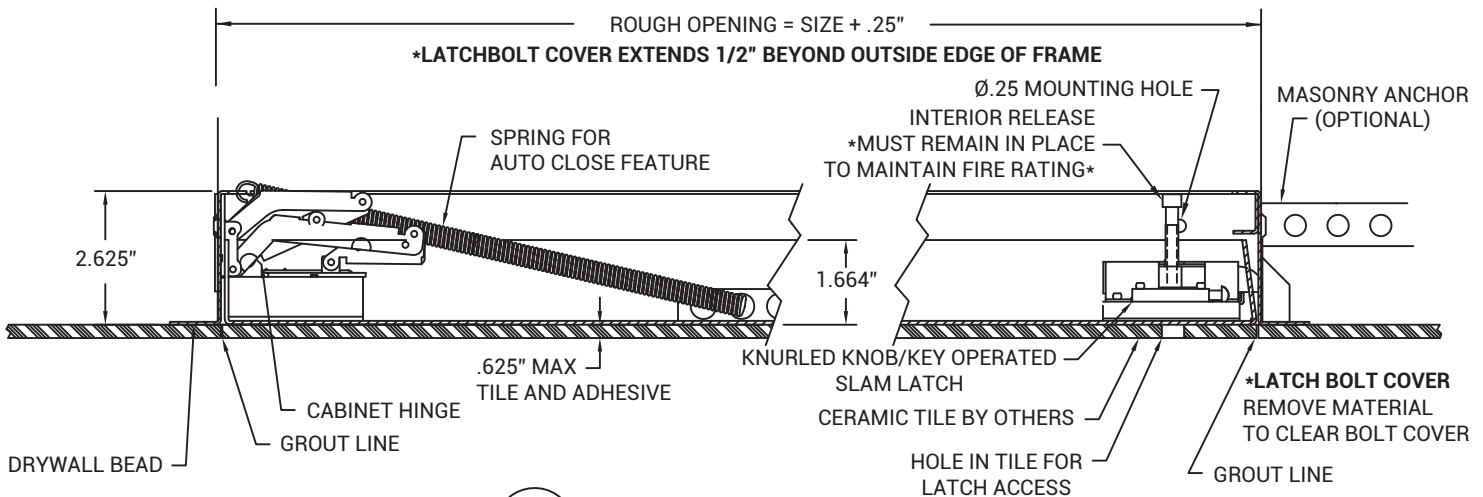
**FRONT ELEVATION
NOT TO SCALE**

SPECIFICATIONS:

- 16 GAUGE GALVANNEALED STEEL FRAME
- 14 GAUGE GALVANNEALED STEEL DOOR
- CABINET HINGE
- FRAMES PROVIDED WITH 1/4" MOUNTING HOLES
- KNURLED KNOB/KEY OPERATED SLAM LATCH
- SPRING DOOR CLOSURE
- "WIDE EXPOSED FLANGE
- INTERIOR RELEASE MECHANISM
- DOOR OPENS TO 90° MAX
- 5/8" MAXIMUM THICKNESS OF TILE AND ADHESIVE
- FIRE RATED UP TO SIZE 24 W X 24 H

LISTINGS

1 1/2 HR, *B* LABEL



**A CUT-THRU SECTION
A NOT TO SCALE**