



Quality Access Doors- FAST!

# SUBMITTAL/TECHNICAL DATA SHEET

SKU: **BA-BSP**

## INSULATED FIRE-RATED SECURITY ACCESS DOOR



### DESCRIPTION

The insulated Fire-Rated Security Access Door is constructed of heavy-duty materials to prevent unwanted access through openings in fire-rated vertical surfaces.

### FEATURES

- Fire-Rated
- Self-Closing Door
- Wall Installation Only
- Custom Sizing

### SPECIFICATIONS

MODEL: BST/BSW/BSP

DOOR:

14 gauge Steel Outer Door  
20 gauge Steel Inner Door

FRAME: 16 gauge Steel

SIZE:

Min: 6 inches by 6 inches

Max:

• BST: 24 inches by 72 inches or 48 inches by 48 inches

• BSW/BSP: 36 inches by 48 inches

INSTALLATION: Wall

FLANGE: 1 inch Exposed, Drywall Bead or Plaster Bead

HINGE:

BST: Flush Continuous Piano

BSW/BSP: Concealed Pin

INSULATION: 2 inch Fire-Rated Mineral Fiber

CERTIFICATION: UL listed "B" label for 1-1/2 hours

FINISH: White Powder Coat

WARRANTY: 1 year

OPTIONS: Flanges, Latches, Materials, Gaskets, Anchors

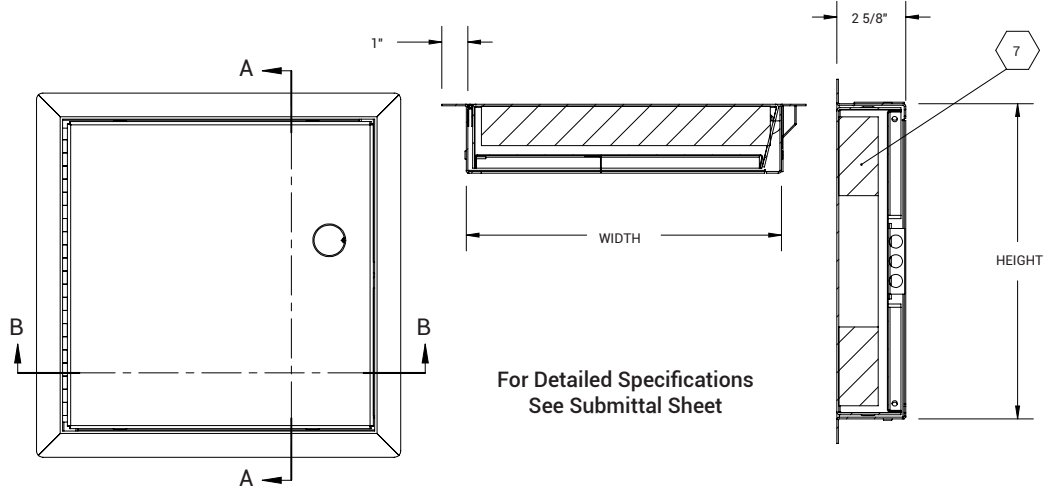
### DIMENSIONS AND APPEARANCE

>> [CLICK TO VIEW ADDITIONAL DETAILS AND PRICING <<](#)

#### ORDER GUIDE:

BASE	FLANGE	LATCH	WIDTH	X	LENGTH	OPTIONS
BS						
	T 1 inch Flange	K Knurled Knob / Key Operated Latch Bolt	STANDARD SIZES (W X L)			B Galvannealed
	W Drywall Bead	M Mortise Lock (1-1/8") Prep	12" X 12"		24" X 24"	G Gasketing
	P Plaster Bead		16" X 16"		24" X 36"	M Masonry Anchors
			18" X 18"		24" X 40"	S Type 304 Stainless Steel
			22" X 30"		24" X 48"	

Rough opening is door size + 1/4 inch minimum. Additional sizes available, call for more information.



For a complete list of options visit [www.BestAccessDoors.com](http://www.BestAccessDoors.com)

### PROJECT DATA

Custom Sizes Available - Fast!

Scan or Click



PROJECT NAME :	QTY	W	H	OPTIONS
ARCHITECT :				
DEALER :				
CONTRACTOR :				
LOCATION :	SPECIAL INSTRUCTIONS :			
DATE :				
TAGGING INSTRUCTIONS :	SUBMITTAL APPROVAL : (signature or stamp)			

TELEPHONE:  
1-800-483-0823  
FAX:  
1-888-828-6021



228 PARK AVE. S. #76520  
NEW YORK, NY, 10003

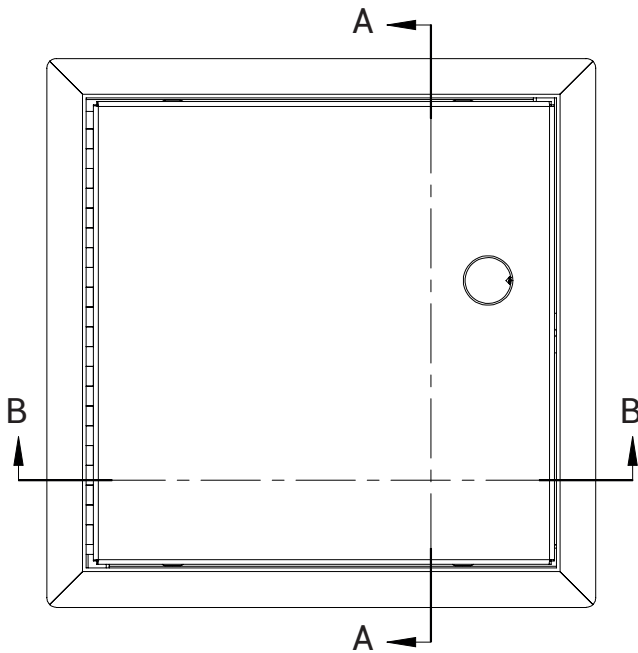


WEBSITE:  
[www.BestAccessDoors.com](http://www.BestAccessDoors.com)

E-MAIL:  
[info@bestaccessdoors.com](mailto:info@bestaccessdoors.com)

To view Pricing and Additional Product Info.

# BA-BSP INSULATED FIRE-RATED SECURITY ACCESS DOOR



**NOTES:**

- ① FRAME:
- ② DOOR: Cold Rolled Steel, 14 ga Outer, 20 ga Inner
- ③ FINISH: White Powder Coat
- ④ HINGE:
- ⑤ SECONDARY LATCH: Varies
- ⑥ LOCK: Mortise Prep
- ⑦ INSULATION: 2" Thick Fire Rated Mineral Wool, 8 R-Value

**OPTIONS:**

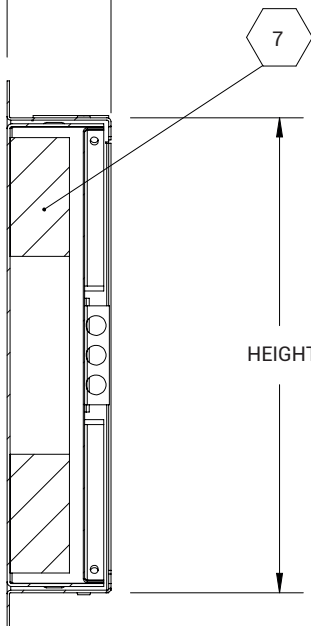
- Gasket Installed (G)
- Masonry Anchors (M)

ROUGH OPENING: W + 0.25" X H + 0.25"  
CLEAR OPENING: W - 3.25" X H - 1.125"  
DEGREE OF OPENING: 125°

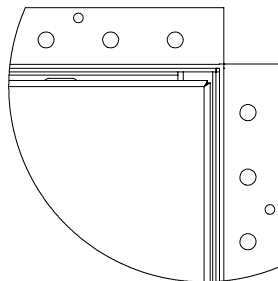
VERTICAL  
1-1/2 HOUR "B" LABEL



2 5/8"

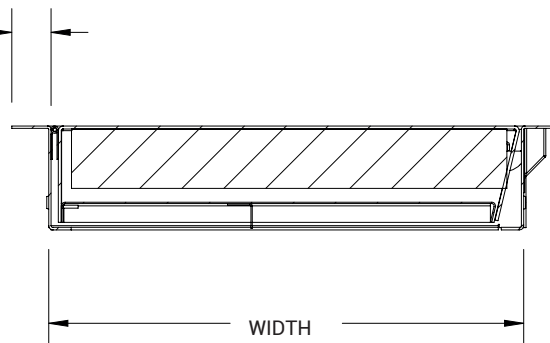
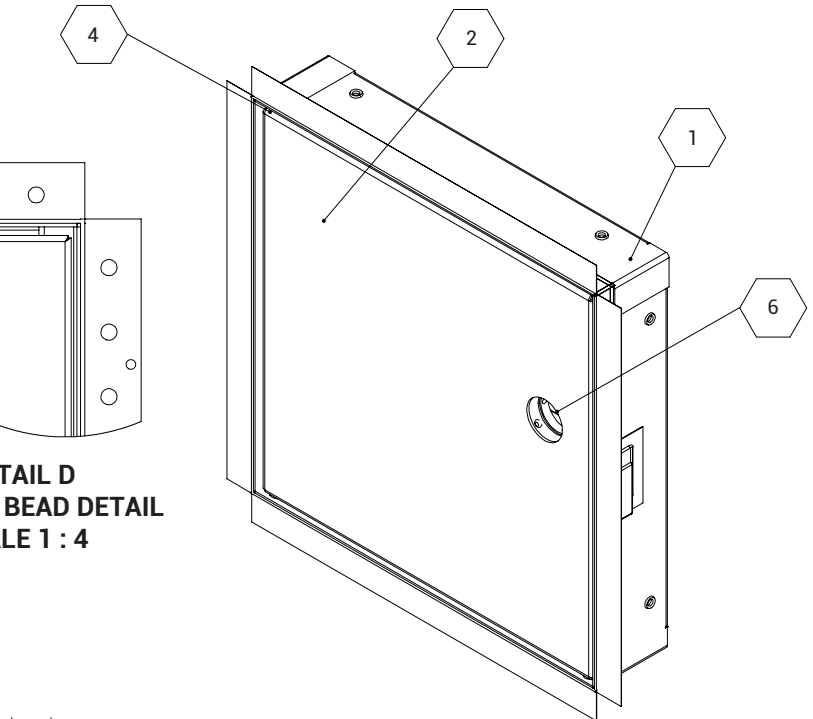


HEIGHT



**DETAIL D  
DRYWALL BEAD DETAIL  
SCALE 1 : 4**

1"



WIDTH

# BA-BSW

# INSULATED FIRE-RATED SECURITY ACCESS DOOR

