



Quality Access Doors - FAST!

# SUBMITTAL/TECHNICAL DATA SHEET

## DESCRIPTION

Quad Door LightMAX Smoke Vent is engineered with translucent covers using polycarbonate for the added sustainability benefit of natural daylighting. With options like color panels, and electrical operation, Babcock-Davis is sure to meet your building sustainability and fire and life safety needs.

## FEATURES

- Quad Leaf Design
- Multi-wall Light Transmission
- Optional Dome
- Optional Winch or Linear Actuator
- UL Listed

## SPECIFICATIONS

DOOR: Quad Leaf

### MATERIAL:

Aluminum: 11 gauge  
Steel: 14 gauge galvalneal

### FINISH:

Aluminum: Mill  
Steel: Powder Coat, High Reflectance White

**CURB:** Single wall curb with EZ tab counterflash and mounting flange.

**INSULATION:** 1 inch polyiso R-6 in cover frame edge and around curb.

**GASKET:** Extruded EPDM adhesive backed gasket seal, continuous around cover.

**HINGE:** Heavy-duty pintle hinge with stainless steel hinge pins.

**HOLD OPEN ARM:** Zinc plated steel automatic hold open arm locks cover in open position.

**SPRINGS:** Gas spring with damper opens cover against 10psf snow load in not less than 2 sec.

**CERTIFICATION:** UL 793 listed.

**MINIMUM SIZE:** 48 inches by 96 inches.

**MAXIMUM SIZE:** 60 inches by 240 inches, 72 inches by 192 inches.

**WARRANTY:** 5 year

SKU: BA-BSVLA-Q

## QUAD DOOR SMOKE VENT

LIGHTMAX™



## DIMENSIONS AND APPEARANCE

>> CLICK TO VIEW ADDITIONAL DETAILS AND PRICING <<

### ORDER GUIDE:

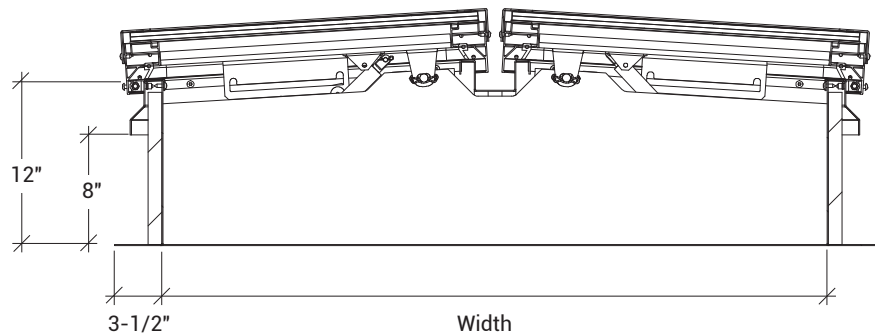
BASE	MATERIAL	W	X	L	DOOR	CURB	OPENING	LINK TEMP	CLOSING	OPTIONS		
BSVL					Q				R	-		
	A - Aluminum Curb & Cover	STANDARD SIZES (IN.)			Q - Quad Door	1 - SINGLE WALL	N - NO ELECTRICAL	165	R - ROOFTOP CLOSE	DOME, POLYCARB. LPW - WHITE, LPC - CLEAR		
	B - Steel Curb and Aluminum Cover	48" X 48"	48" X 72"	48" X 96"		2 - DOUBLE WALL	L - 24VDC/24VAC	212			W - MANUAL WINCH	DOUBLE DOME, POLYCARB. LPWW - WHITE/WHITE LPCW - CLEAR/WHITE
		60" X 60"	60" X 96"	60" X 120"		3 - CURB MOUNT	H - 110VAC/240VAC	350	450			
		72" X 72"	72" X 96"									
												MULTIWALL LMC - CLEAR, LMB - BLUE LMZ - BRONZE LMG - GREEN

Additional sizes and options available, call for more information.



**LATCH:** Zinc plated steel rotary latch designed to hold covers closed against 30psf for single doors. Opens manually by external and internal pull cables. Opens automatically with a fusible link at standard temperature 165°F.

**COVER:** Extruded aluminum with 5/8 inch structural multi-wall white polycarbonate. Cover withstands a live load of 40psf.



For a complete list of options visit [www.BestAccessDoors.com](http://www.BestAccessDoors.com)

## PROJECT DATA

Custom Sizes Available - Fast!

Scan or Click



To view Pricing and Additional Product Info.

PROJECT NAME :	QTY	W	H	OPTIONS
ARCHITECT :				
DEALER :				
CONTRACTOR :				
LOCATION :	SPECIAL INSTRUCTIONS :			
DATE :	SUBMITTAL APPROVAL : (signature or stamp)			
TAGGING INSTRUCTIONS :				

TELEPHONE:  
1-800-483-0823  
FAX:  
1-888-828-6021



228 PARK AVE. S. #76520  
NEW YORK, NY, 10003



WEBSITE:  
[www.BestAccessDoors.com](http://www.BestAccessDoors.com)  
E-MAIL:  
[info@bestaccessdoors.com](mailto:info@bestaccessdoors.com)