



Quality Access Doors- FAST!

# SUBMITTAL/TECHNICAL DATA SHEET

## DESCRIPTIONS

The DSC-214PL has an expansion casing bead with galvanized lath providing a neat, tight protected finish between frame and plaster, while furnishing added plaster reinforcement.

## SPECIFICATION

### CONSTRUCTION:

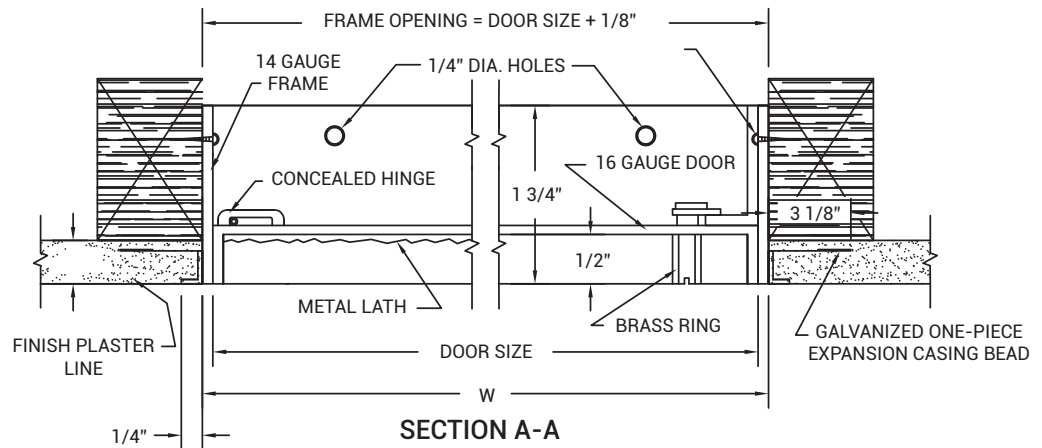
- Frame shall be 14 gauge steel and door shall 16 gauge steel.
- Door shall be recessed 1/2" and lined with self furring 3.4 lb. flat rib galvanized steel lath.
- Hinge shall be concealed pivoting rod type.
- Locks shall be flush and screwdriver operated with cam and studs, or shall be key operated cylinder lock with automatic dust shutter.
- Brass sleeves shall be spot welded to door to protect plaster around cam and stud.
- Finish shall be prime coat of rust inhibitive electrostatic powder, baked white enamel.



SKU: **BA-DSC-210PL**  
**FLUSH ACCESS DOOR**  
 FOR PLASTER

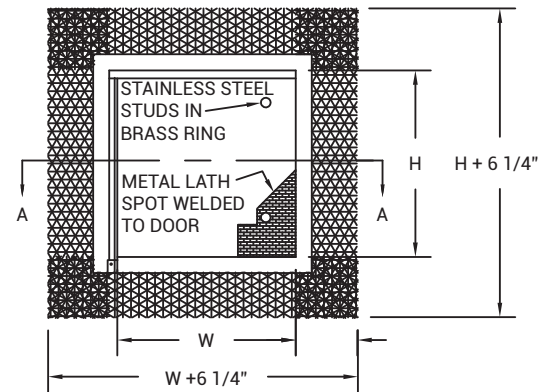
## DIMENSIONS AND APPEARANCE

>> CLICK TO VIEW ADDITIONAL DETAILS AND PRICING <<



### STANDARD SIZES:

DOOR SIZE W x H (IN.)	WALL/CEILING OPENING (IN.)	NUMBER OF STUD LATCHES	SHIP WT. (LBS.)
12 x 12	12 1/8 x 12 1/8	1	6.7
18 x 18	18 1/8 x 18 1/8	2	12.4
12 x 24	12 1/8 x 24 1/8	2	10.6
24 x 24	24 1/8 x 24 1/8	2	19.2
24 x 36	24 1/8 x 36 1/8	2	32.0



For a complete list of options visit [www.BestAccessDoors.com](http://www.BestAccessDoors.com)

## PROJECT DATA

Custom Sizes Available - Fast!

Scan or Click



To view Pricing and Additional Product Info.

PROJECT NAME :	QTY	W	H	OPTIONS
ARCHITECT :				
DEALER :				
CONTRACTOR :				
LOCATION :	SPECIAL INSTRUCTIONS :			
DATE :	SUBMITTAL APPROVAL : (signature or stamp)			
TAGGING INSTRUCTIONS :				

TELEPHONE:  
1-800-483-0823  
FAX:  
1-888-828-6021



228 PARK AVE. S. #76520  
NEW YORK, NY, 10003



WEBSITE:  
[www.BestAccessDoors.com](http://www.BestAccessDoors.com)  
E-MAIL:  
[info@bestaccessdoors.com](mailto:info@bestaccessdoors.com)