



Quality Access Doors- FAST!

# SUBMITTAL/TECHNICAL DATA SHEET

SKU: **BA-EA-ARH**

## ELECTRIC ACTUATION ALUMINUM ROOF HATCH



### APPLICATION

Acudor Ladder Access Roof Hatches are designed to provide convenient, economical access to the roof of a building

### FEATURES

- Weather tight construction
- Convenient one-hand operation
- 12" high insulated curb
- Supports 40lbs./sq. ft. live load
- Stainless Steel Hardware

### OPTIONAL FEATURES

- Painted and Anodized finishes
- Polycarbonate domes for daylighting
- Louvered Curbs • Curb Mounted Units
- Curb pitch corrected for sloped roof
- Higher curb heights for "green roof" applications

### SPECIFICATIONS

**COVER:** Double-skin construction ("in box type design") with 1" Polyiso (R-6) insulation and a continuous EPDM foam weather/draft seal gasket that is attached to the inside of cover to provide a flush, tight fit. Designed to support a live load of 40lbs./sq. ft., the cover is 11 gauge aluminum with a 20 gauge aluminum inside liner

**CURB:** 111 gauge aluminum with 1" thick Polyiso (R-6) insulation at curb exterior. Curb is 12" high, with 3.375" wide bottom flange and pre-drilled mounting holes

**HINGE:** Heavy duty Aluminum pintle hinges with 3/8" SS pin

**OPENING:** Gas spring operators allow cover to open and close with ease. Stainless Steel Inside pull handle allows for easy control when closing cover

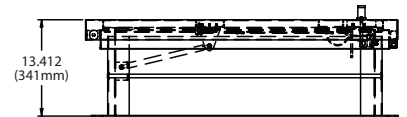
**DOOR LATCH:** Self latching, Stainless steel outside T handle with stainless steel inside lock and lever assembly. Unit also has inside and outside padlock provisions

**FINISH:** Mill finish

### DIMENSIONS AND APPEARANCE

>> CLICK TO VIEW ADDITIONAL DETAILS AND PRICING <<

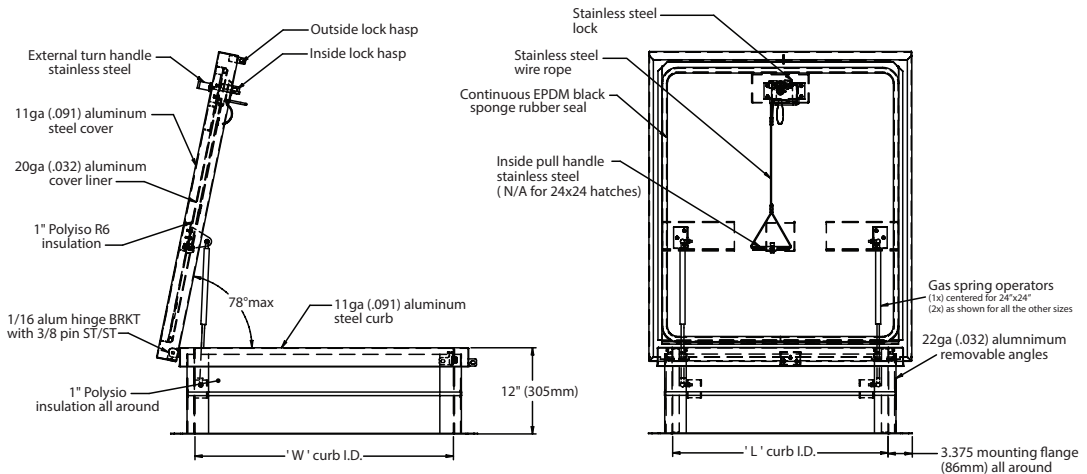
MODEL	CURB ID L&W INCHES (MM)	WEIGHT	
		LBS	KG
A3232	24 x 24 (610 x 610)	60	27.3
A3238	24 x 30 (610 x 762)	65	29.4
A3244	24 x 36 (610 x 914)	70	31.8
A3838	30 x 30 (762 x 762)	75	34.0
A3844	30 x 36 (762 x 914)	85	38.6
A4444	36 x 36 (914 x 914)	95	42.2



**ASSEMBLY NOTE:**  
Unit shall be completely assembled as shown and supplied to job ready for installation  
**FINISH:** Mill

For detailed specifications see submittal sheet

#### MANUFACTURED BY ACUDOR



For a complete list of options visit [www.BestAccessDoors.com](http://www.BestAccessDoors.com)

### PROJECT DATA

Custom Sizes Available - Fast!

PROJECT NAME :	QTY	W	H	OPTIONS
ARCHITECT :				
DEALER :				
CONTRACTOR :				
LOCATION :	SPECIAL INSTRUCTIONS :			
DATE :				
TAGGING INSTRUCTIONS :	SUBMITTAL APPROVAL : (signature or stamp)			

Scan or Click



To view Pricing and Additional Product Info.

TELEPHONE:  
1-800-483-0823  
FAX:  
1-888-828-6021



228 PARK AVE. S. #76520  
NEW YORK, NY, 10003



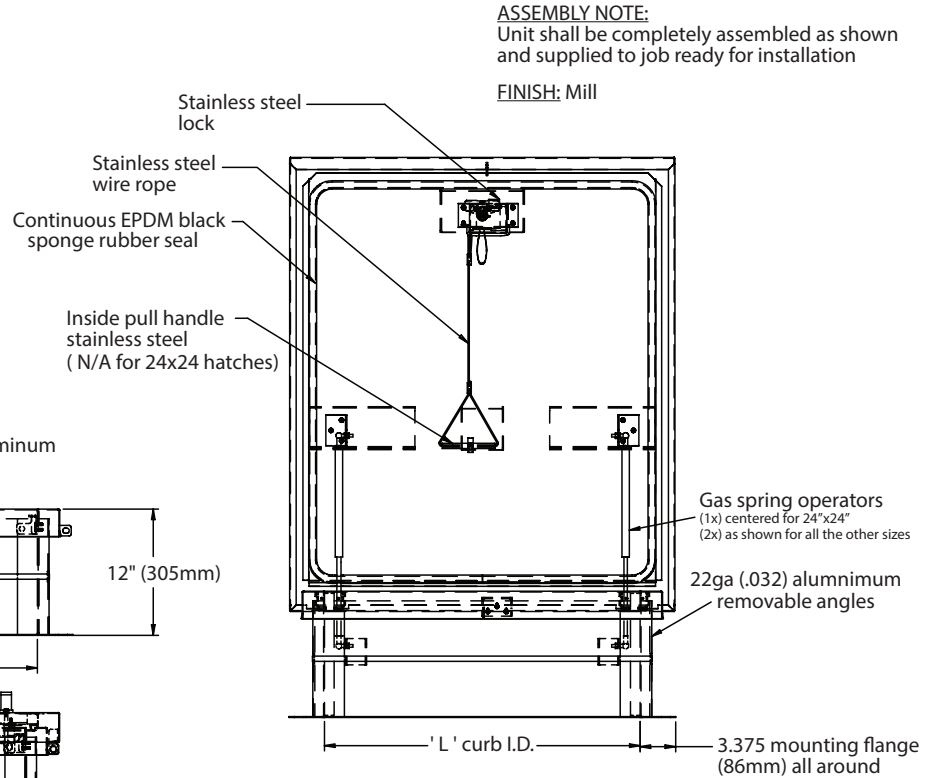
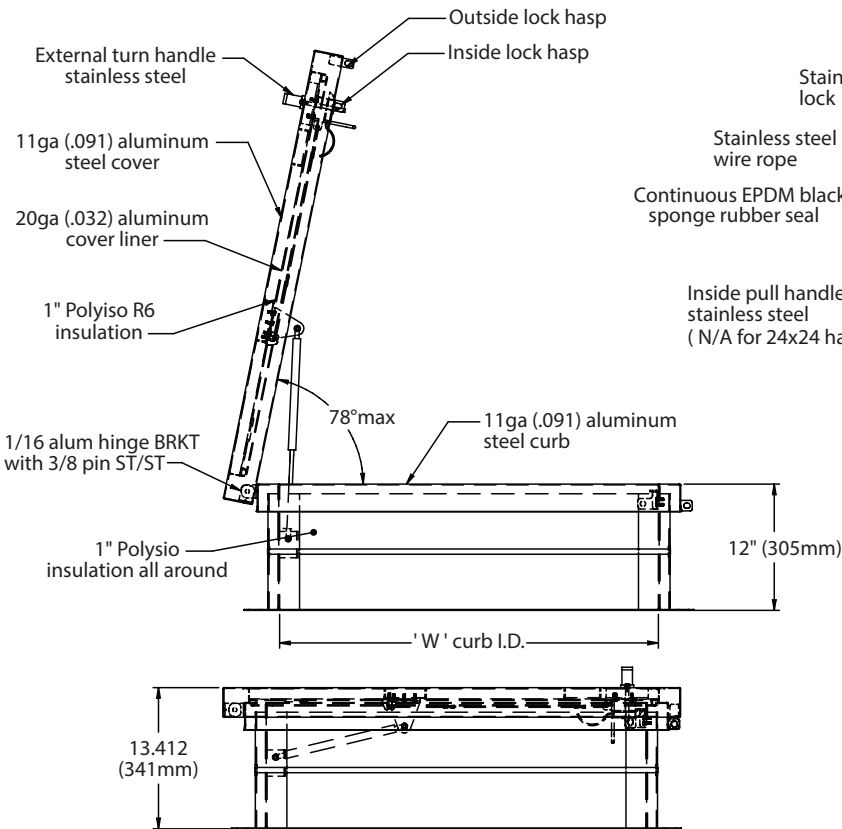
WEBSITE:  
[www.BestAccessDoors.com](http://www.BestAccessDoors.com)

E-MAIL:  
[info@bestaccessdoors.com](mailto:info@bestaccessdoors.com)

**BA-EA-ARH**

**ELECTRIC ACTUATION ALUMINUM ROOF HATCH**

QTY	OPENING WIDTH 'W'	OPENING LENGTH 'L'	QTY	OPENING WIDTH 'W'	OPENING LENGTH 'L'
	24" (610mm)	24" (610mm)		36" (914mm)	30" (762mm)
	36" (914mm)	24" (610mm)		36" (914mm)	36" (914mm)
	30" (762mm)	30" (762mm)			



**ASSEMBLY NOTE:**  
 Unit shall be completely assembled as shown and supplied to job ready for installation  
**FINISH: Mill**

MANUFACTURED BY ACUDOR