



Quality Access Doors - FAST!

SUBMITTAL/TECHNICAL DATA SHEET

SKU: BA-EW-20VM

SINGLE LEAF ROOF SCUTTLE

TYPE VM



SPECIFICATIONS

- Frame w/ flashing (corners full welded)
 - 2014 - 14 gauge P.B. Galv. Steel
 - 50VM - 11 gauge aluminum
- Pintle hinge
- Gasket (all around cover)
- Cover gauge
 - 20VM - 14 gauge P.B. Galv. Steel
 - 50VM - 11 gauge aluminum
- Cover liner
 - 20VM - 22 gauge P.B. Galv. Steel
 - 50VM - 18 gauge aluminum
- Spring lifting mechanism
- 1" rigid fiberglass insulation
- Slam latch
- Inside and outside handles w/padlock hasps
- Arm guide bracket
- 1" thick fiberglass cover insulation
- Hold open arm w/red vinyl grip
- Neoprene gasket
- Lock strike & padlock hasp
- Anchor tabs (QTY & location varies w/size)
- Guide arm (If req'd)

SHOP FINISH:

STEEL: Red oxide primer

ALUMINUM: Mill finish

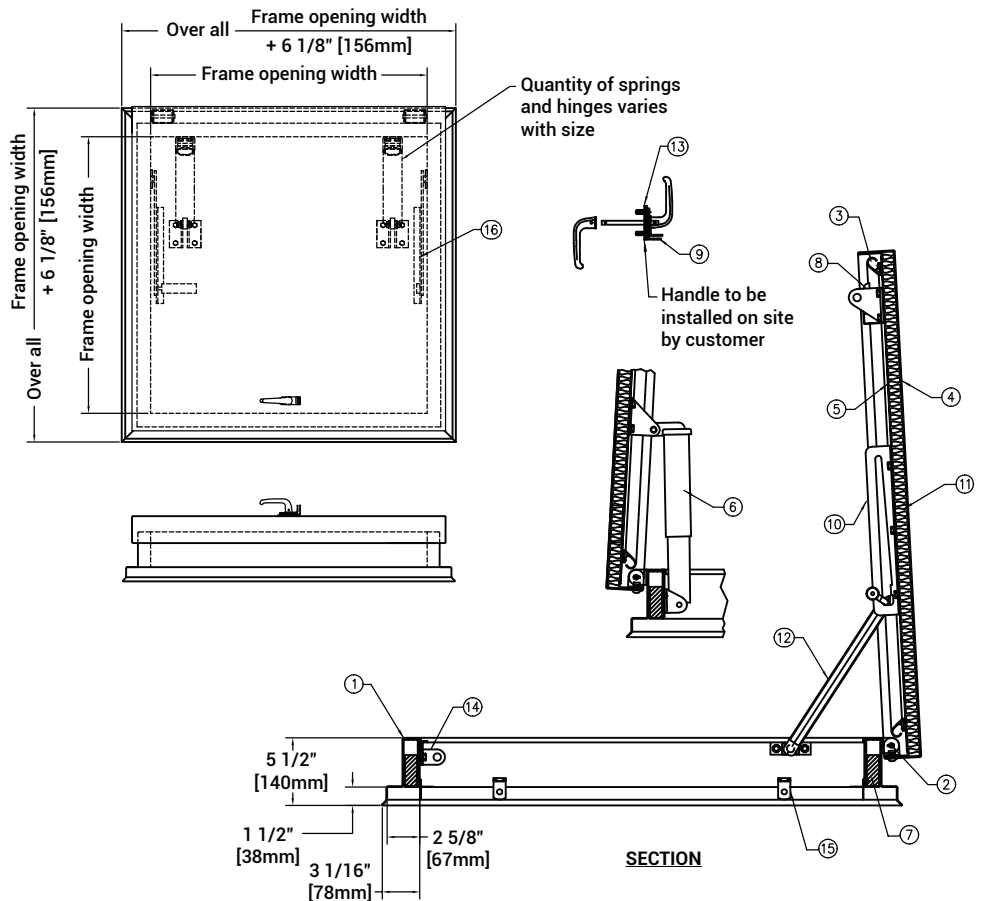
HARDWARE: Non-corrosive materials
(Unless otherwise specified)

This product may be installed on either a flat or sloping roof. When installed on a slope, the hinge side must run parallel with the slope. If slope exceeds 30', advise factory for modification

For a complete list of options visit
www.BestAccessDoors.com

DIMENSIONS AND APPEARANCE

>> CLICK TO VIEW ADDITIONAL DETAILS AND PRICING <<



QTY	TYPE	QTY	TYPE	SIZE WIDTH X LENGTH
1	S-20VM	1	S-50VM	3'-0" X 2'-6" [914MM] X [762MM]
1	E-20VM	1	E-50VM	3'-0" X 3'-0" [914MM] X [914MM]
1	NB-20VM	1	NB-50VM	2'-6" X 4'-6" [762MM] X [1370MM]
1	L-20VM	1	L-50VM	2'-6" X 8'-0" [762MM] X [2440MM]
1	EW-20VM	1	EW-50VM	3'-3 3/8" X 3'-3 3/8" [1000MM] X [1000MM]

PROJECT DATA

Custom Sizes Available - Fast!

Scan or Click



To view Pricing and Additional Product Info.

PROJECT NAME :	QTY	W	H	OPTIONS
ARCHITECT :				
DEALER :				
CONTRACTOR :				
LOCATION :	SPECIAL INSTRUCTIONS :			
DATE :				
TAGGING INSTRUCTIONS :	SUBMITTAL APPROVAL : (signature or stamp)			

TELEPHONE:
1-800-483-0823

FAX:
1-888-828-6021



228 PARK AVE. S. #76520
NEW YORK, NY, 10003



WEBSITE:
www.BestAccessDoors.com

E-MAIL:
info@bestaccessdoors.com



SUBMITTAL

STANDARD SIZES AND SHIPPING WEIGHTS

TELEPHONE:
1-800-483-0823
FAX:
1-888-828-6021

228 PARK AVE. S. #76520
NEW YORK, NY, 10003

WEBSITE:
www.BestAccessDoors.com
E-MAIL:
info@bestaccessdoors.com

BA-EW-20VM

ROOF ACCESS HATCHES

APPLICATION	SIZE		STEEL			STEEL CURB & ALUMINUM COVER			ALUMINUM						STAINLESS STEEL		
	(width x length)		Model	Weight		Model	Weight		Standard			Thermally Broken			Model	Weight	
	inches	mm		lbs.	kg.		lbs.	kg.	Model	Weight		Model	Weight			lbs.	kg.
Ladder Access <small>Type S is approved by Miami-Dade County</small>	36 X 30	914 X 762	S-20	183	83	S-40	150	68	S-50	110	50	S-50TB	132	60	S-90	183	83
	36 X 36	914 X 914	E-20	207	94	E-40	184	83	E-50	112	51	E-50TB	139	63	E-90	207	94
Ladder Access with Dome Cover for natural daylight	36 X 30	914 X 762	Not Available			Consult Factory			GS-50	115	52	GS-50TB	141	64	Not Available		
Ship Stair Access <small>HZ = Miami-Dade Approved</small>	30 X 54	762 X 1372	NB-20	239	108	NB-40	190	86	NB-50	139	63	NB-50TB	175	79	NB-90	239	108
	30 X 54	762 X 1372	NB-20HZ	239	108	Consult Factory			NB-50HZ	139	63	Not Available			Consult Factory		
Service Stair Access	30 X 96	762 X 2438	L-20	434	197	L-40	295	134	L-50	253	115	L-50TB	304	138	L-90	434	197
VersaMount Design <small>Specify for installation on existing curbs</small>	36 X 30	914 X 762	S-20VM	152	69	Consult Factory			S-50VM	86	39	S-50VMTB	125	57	S-90VM	152	69
	30 X 54	762 X 1372	NB-20VM	180	82	Consult Factory			NB-50VM	100	45	Consult Factory			NB-90VM	180	82
	30 X 96	762 X 2438	L-20VM	320	145	Consult Factory			L-50VM	178	81	Consult Factory			L-90VM	320	145
Equipment Access*	48 X 48	1219 X 1219	Consult Factory			F-40	275	125	F-50	218	99	F-50TB	278	126	Consult Factory		
High Security	36 X 30	914 X 762	S-20C	386	175	Consult Factory			S-50C	150	68	Not Available			Consult Factory		
	36 X 36	914 X 914	E-20C	400	181	Consult Factory			E-50C	176	80	Not Available			Consult Factory		
	30 X 54	762 X 1372	NB-20C	475	215	Consult Factory			NB-50C	210	95	Not Available			Consult Factory		

* Double leaf hatches can be fabricated in large custom sizes for oversized equipment. Contact Best Access Doors with your access requirements.
Thermally broken roof hatches are not available in a double leaf design.

Custom sizes available, contact Best Access Doors with your custom requirements