



Quality Access Doors- FAST!

SUBMITTAL/TECHNICAL DATA SHEET

DESCRIPTIONS

The access panel consists of a welded aluminum frame and is available with 1/2" (12.7 mm) or 5/8" (15.9 mm) inlaid drywall and two latches.

Both an outer and an inner frame assembly consists of high grade aluminum which is bonded with a special welding process.

For sizes 12" x 12" (305 mm x 305 mm) and up the access panels are equipped with a safety-system to prevent accidental opening. This safety system must be reattached if the hatch is removed.

The reveal of 1/16 of an inch (1.59 mm) is visible between the outer frame and door hatch. The concealed snap locks open the access panel when pressure is applied to spring loaded latch side.

The panel is designed for acoustic ceilings.

ADVANTAGES

- Superior engineering & innovative design
- Fast delivery
- Quick and easy installation
- Solid aluminum frame
- Flush installation in ceilings and walls

For a complete list of options visit www.BestAccessDoors.com

Scan or Click

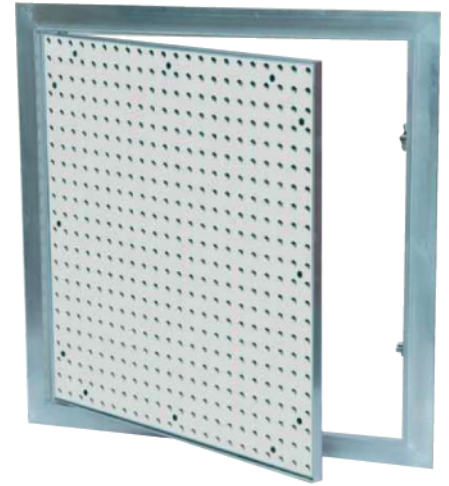


To view Pricing and Additional Product Info.

SKU: **BA-F2-AT**

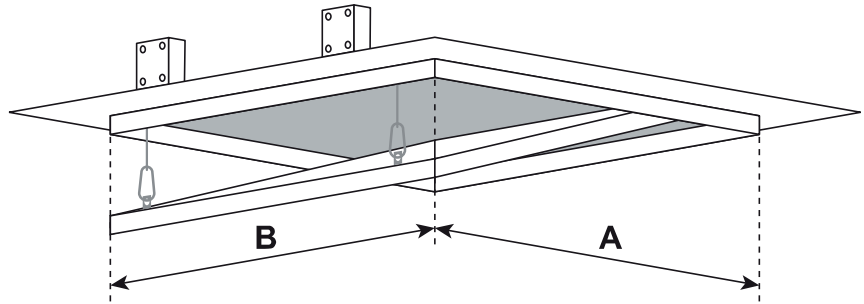
DRYWALL ACCESS PANEL

WITH ACOUSTIC TILE



DIMENSIONS AND APPEARANCE

>> [CLICK TO VIEW ADDITIONAL DETAILS AND PRICING <<](#)



All standard sizes are available in 1/2" (12.7 mm) or 5/8" (15.9 mm) drywall.

Customized sizes can be produced in every dimension upon request.

OPTIONS:

| | |
|----|--|
| SD | - Screwdriver operated cam latch |
| FS | - Screwdriver operated four-square cam latch |
| Z | - Round Cylinder Lock with Key |
| M | - Mortise Cylinder Lock Preparation |
| H | - Hex Head Cam Latch |
| P | - Pinned Hex Head Cam Latch |

PROJECT DATA

Custom Sizes Available - Fast!

| | | | | |
|------------------------|--|---|---|---------|
| PROJECT NAME : | QTY | W | H | OPTIONS |
| ARCHITECT : | | | | |
| DEALER : | | | | |
| CONTRACTOR : | | | | |
| LOCATION : | SPECIAL INSTRUCTIONS : | | | |
| DATE : | SUBMITTAL APPROVAL : (signature or stamp) | | | |
| TAGGING INSTRUCTIONS : | | | | |

TELEPHONE:
1-800-483-0823
FAX:
1-888-828-6021



228 PARK AVE. S. #76520
NEW YORK, NY, 10003



WEBSITE:
www.BestAccessDoors.com

E-MAIL:
info@bestaccessdoors.com