



Quality Access Doors- FAST!

# SUBMITTAL/TECHNICAL DATA SHEET

## DESCRIPTIONS

Three hour fire-rated single leaf panel for use in a ceiling application where control of temperature rise and heat transmission is required. Insulation helps in reducing sound transmission through the door.

## SPECIFICATIONS

**MATERIAL:** Satin finish galvanized steel or 304 stainless steel.

**FRAME:** 16 ga (1.61 mm) steel up to and including 30" x 48" or 14ga (1.99 mm) steel for larger sizes. Depth "D"= 3-1/4" (83 mm).

**FLANGE:** Width - 7/8" (22mm) up to and including 36" x 36", for larger sizes 1-1/4" (31.75mm).

**DOOR PANEL:** 18 ga (1.31 mm) galvanized steel with 22 ga (0.85mm) liner.

**INSULATION:** The door panel contains 2-1/2" (63 mm) of high temperature insulation material.

**FINISH:** Rust inhibitive off-white prime coat or # 4 stainless steel finish on exterior surface.

**HINGES:** The concealed continuous rod hinge is designed to secure the door panel. The hinge is placed on the long side of the door ("H" dimension) unless otherwise requested. Doors over 48" in a wall position a continuous piano hinge is standard.

**PANEL CLOSER:** The automatic panel closer will close and latch the door from an open position of approximately 90° as required by NFPA 80.

**LATCH:** The standard factory installed latch is a flush mount 1/4" allen key. All fire-rated locks are self-latching and include an interior latch release mechanism allowing the doors to be opened from the inside.

**SIZES:**  
3 Hour Ceilings up to 24 x 36

SKU: **BA-FD3C**

**3 HR OVERSIZED FIRE-RATED ACCESS PANEL**

FOR CEILINGS



## DIMENSIONS AND APPEARANCE

>> CLICK TO VIEW ADDITIONAL DETAILS AND PRICING <<




### STANDARD SIZES:

Rough Opening = Order Size Height (H) = Hinge Side $\neq$			Door Size Inches	No. of Latches/ Locks	Weight Kgs
Model	Inches W x H	Metric (mm) W x H			
<b>3 HR CEILINGS</b>					
FD3C-2448	24 x <b>48</b>	610 x <b>1219</b>	23-5/8 x 47-5/8	2	30
FD3C-3030	30 x <b>30</b>	762 x <b>762</b>	29-5/8 x 29-5/8	1	23
FD3C-3036	30 x <b>36</b>	762 x <b>914</b>	29-5/8 x 35-5/8	2	28
FD3C-3048	30 x <b>48</b>	762 x <b>1219</b>	29-5/8 x 47-5/8	2	35
FD3C-3232	32 x <b>32</b>	813 x <b>813</b>	31-5/8 x 31-5/8	2	26
FD3C-3636	36 x <b>36</b>	914 x <b>914</b>	35-5/8 x 35-5/8	2	32

$\neq$  Clear Opening Size = R.O. Width minus 4-1/4", Height minus 1-1/2"

Other sizes available upon request for all Models.

Second dimension given is the hinge side (shown in **Bold**) unless otherwise specified.

LATCH AND LOCK OPTIONS		
Standard 1/4" Allen Key (A)	Optional Knurled Knob (KK)	Optional Mortise Lock (MPI)
		



Intertek

### FIRE-RATING INFORMATION

Intertek Warnock Hersey Listed and Labeled: 3 Hour Fire Rating for vertical and horizontal installation

Temp Rise Max: 43°C/77° F at 30 Min, 149°C/268° F at 60 Min.

### Testing Standards:

Vertical: NFPA 252, UL 10B, CAN/ULC S10 4  
Horizontal: UBC 43-7, CAN/ULC S112

Optional Smoke Gasket Testing Standards: UL 1784 per NFPA 105, ASTM E152, CAN4 S106, UBC 7-2, UL 10 (b) NFPA 252 (90- minute)

THIS MODEL ALSO AVAILABLE FOR 3 HOUR WALLS, AND DOUBLE LEAF MODELS—SEE SEPARATE SUBMITTALS



See separate submittal for the FD Series; Use this FD3 submittal for larger sizes See page 2 for sizes.

For detailed specifications see submittal sheet

For a complete list of options visit [www.BestAccessDoors.com](http://www.BestAccessDoors.com)

## PROJECT DATA

Custom Sizes Available - Fast!

Scan  or  Click



To view Pricing and Additional Product Info.

PROJECT NAME :	QTY	W	H	OPTIONS
ARCHITECT :				
DEALER :				
CONTRACTOR :				
LOCATION :	SPECIAL INSTRUCTIONS :			
DATE :	SUBMITTAL APPROVAL : (signature or stamp)			
TAGGING INSTRUCTIONS :				

TELEPHONE:  
1-800-483-0823  
FAX:  
1-888-828-6021



228 PARK AVE. S. #76520  
NEW YORK, NY, 10003

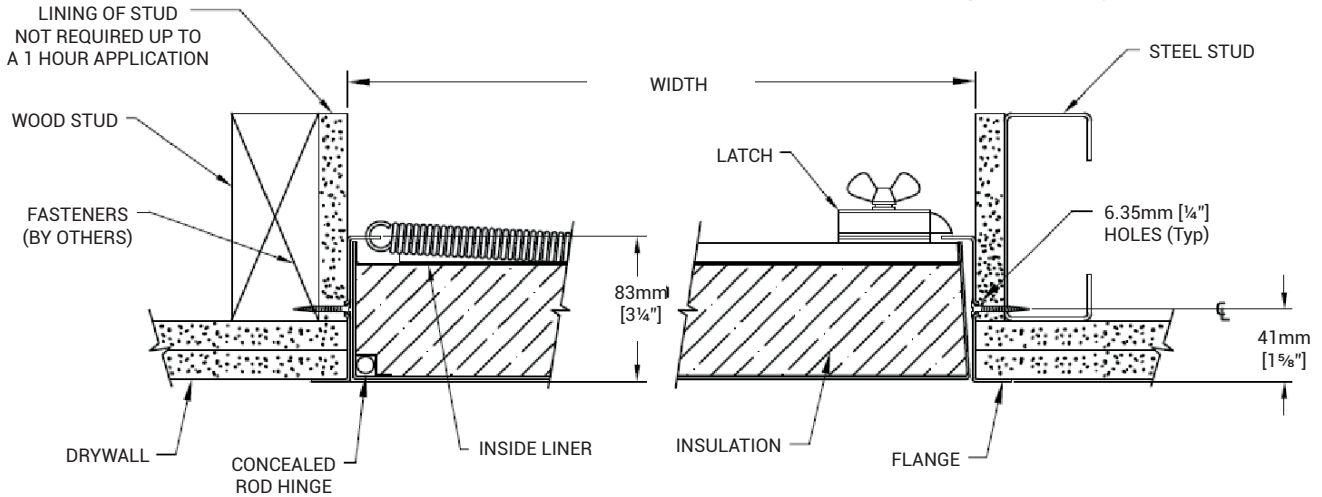


WEBSITE:  
[www.BestAccessDoors.com](http://www.BestAccessDoors.com)

E-MAIL:  
[info@bestaccessdoors.com](mailto:info@bestaccessdoors.com)

**BA-FD3C**

**3 HOUR OVERSIZED FIRE-RATED ACCESS PANEL FOR CEILING**



**SECTION A-A**

