



Quality Access Doors- FAST!

SUBMITTAL/TECHNICAL DATA SHEET

APPLICATION

FHA and FHG floor access doors are for interior or exterior use where easy access is required. The angle frame construction with integral anchor flange is designed to be cast into concrete. They are available in either prime coated steel (FHG) or aluminum (FHA). Standard units withstand load bearing of 300 lbs. per square foot. They are designed for safety, durability and ease of operation.

SPECIFICATIONS

MATERIAL: FHG Series has a door made of 3/16" (5) thick A36 diamond plate. FHA Series has a door made of 3/16" (5) thick structural grade aluminum diamond plate. Both doors can support 300 lbs. per square foot live load. Frame material is composite hot rolled steel angle frame.

DOOR: Flush to frame. Equipped with an automatically locking hold open arm that locks the door in the open position. Also available are 1/4" (6 mm) thick doors reinforced to meet a 10,000 lb. load rating. (without impact for the FHA Series).

FRAME: Complete with a 1" (25) anchor flange. All hardware is Type #316 stainless steel.

HINGE: Tamper proof steel hinges with stainless steel pins

OPENING DEVICE: Automatic locking hold open arm with red vinyl grip allows door to open 90 degrees

LATCH: The following lock options are available: padlock staple, Type # 316 stainless steel snap lock with removable handle, recessed hasp, Type # 316 stainless steel pentahead, keyed deadbolt lock or hasp and staple. The standard latch used is the compression lever latch.

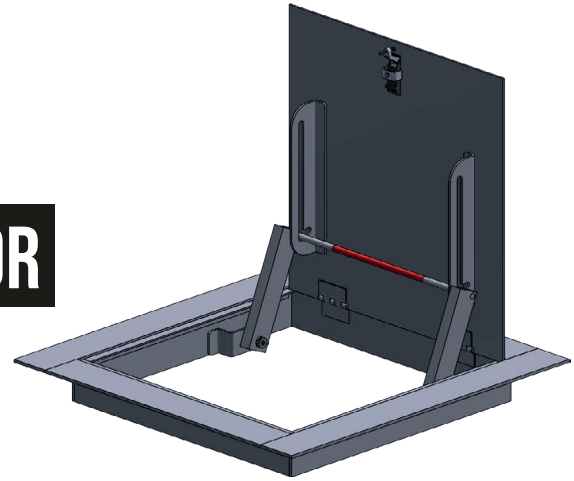
FINISH: FHG Series is primed grey finish. FHA Series is an aluminum mill finish. Frame is finished with a bituminous coating.

PACKAGING: Individual pack

For a complete list of options visit www.BestAccessDoors.com

SKU: **BA-FHG**

FLOOR ACCESS DOOR



DIMENSIONS AND APPEARANCE

>> [CLICK TO VIEW ADDITIONAL DETAILS AND PRICING <<](#)

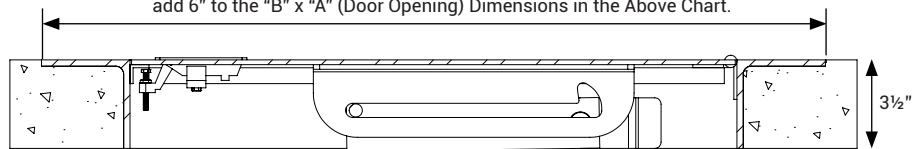
'B' X 'A' DOOR OPENING	FLOOR OPENING	FHA SHIPPING WT. (lbs)	FHG SHIPPING WT. (lbs)	GALVANIZED MODEL #	ALUMINUM MODEL #
24" X 24"	26-1/2" X 24-1/2"	42.0	90.0	FHG2424	FHA2424
24" X 30"	26-1/2" X 30-1/2"	49.0	105.0	FHG2430	FHA2430
24" X 36"	26-1/2" X 36-1/2"	55.0	120.0	FHG2436	FHA2436
30" X 30"	32-1/2" X 30-1/2"	56.0	122.0	FHG3030	FHA3030
30" X 36"	32-1/2" X 36-1/2"	64.0	138.0	FHG3036	FHA3036
30" X 48"	32-1/2" X 48-1/2"	78.0	172.0	FHG3048	FHA3048
36" X 36"	38-1/2" X 36-1/2"	72.0	156.0	FHG3636	FHA3636
36" X 48"	38-1/2" X 48-1/2"	89.0	194.0	FHG3648	FHA3648
42" X 42"	44-1/2" X 42-1/2"	90.0	196.0	FHG4242	FHA4242
48" X 48"	50-1/2" X 48-1/2"	108.0	240.0	FHG4848	FHA4848
48" X 72"	50-1/2" X 72-1/2"	150.0	332.0	FHG4872	FHA4872
30" X 30"	62-1/2" X 60-1/2"	150.0	340.0	FHG6060	FHA6060

SUFFIX	OPTIONAL VARIATIONS
-BA	Buy American Act Compliant Product
-PA	Pennsylvania Steel Act Compliant Product

(Dimension) Denotes Millimetres
Note: The hinge is always furnished on the "A" or height (longer) dimension, unless otherwise specified.
Example: the model number would be FHG4872 for a floor access door with the hinge on the longer (72") dimension. The model number would be FHG248 for a floor access door with the hinge on the shorter (48") dimension.



To Determine the Floor Opening for Doors with a Recess Frame (Suffix -RF), add 6" to the "B" x "A" (Door Opening) Dimensions in the Above Chart.



PROJECT DATA

Custom Sizes Available - Fast!

Scan or Click



To view Pricing and Additional Product Info.

PROJECT NAME :	QTY	W	H	OPTIONS
ARCHITECT :				
DEALER :				
CONTRACTOR :				
LOCATION :	SPECIAL INSTRUCTIONS :			
DATE :	SUBMITTAL APPROVAL : (signature or stamp)			
TAGGING INSTRUCTIONS :				

TELEPHONE:
1-800-483-0823
FAX:
1-888-828-6021



228 PARK AVE. S. #76520
NEW YORK, NY, 10003



WEBSITE:
www.BestAccessDoors.com
E-MAIL:
info@bestaccessdoors.com