



Quality Access Doors- FAST!

# SUBMITTAL/TECHNICAL DATA SHEET

## STANDARD OPTIONS

### MATERIAL:

Door panel: 20 gauge cold rolled steel  
 Frame: 24 gauge galvanized steel frame with notched knock-over tabs  
 Corners: Polymer

### HINGE:

No hinge type  
 Concealed magnetic closure

### LOCK / LATCH:

4 magnets  
 1 per polymer corner

### ADJUSTABLE FRAME:

Increments of 3/8ths

### FINISH:

High quality white powder coat primer

### CABLE:

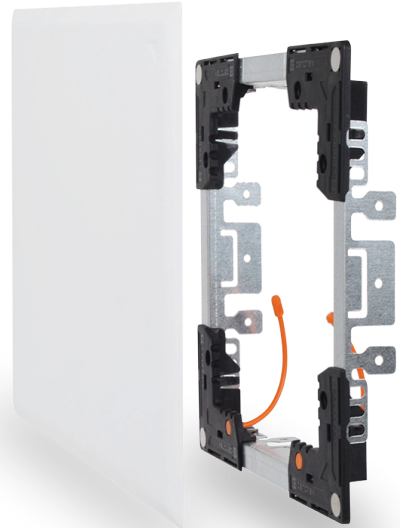
2 security cables

### PACKAGING:

- Individually wrapped
- 4 doors per box
- Pre assembled

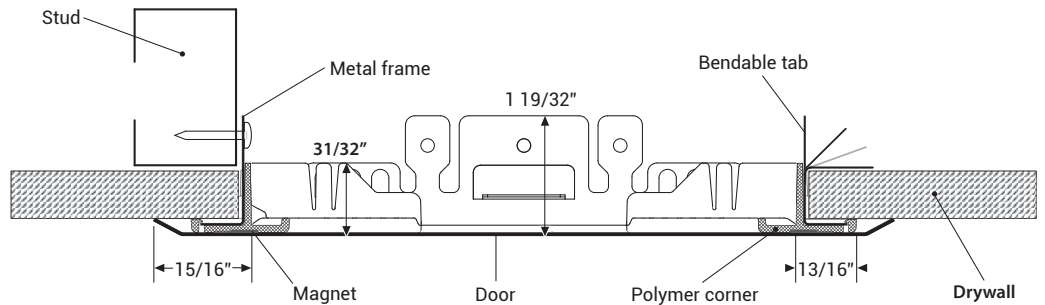
SKU: **BA-FLE-PRO**

## REVOLUTIONARY ADJUSTABLE GENERAL PURPOSE ACCESS DOOR



## INSTALLATION

>> [CLICK TO VIEW ADDITIONAL DETAILS AND PRICING <<](#)



## DIMENSIONS AND APPEARANCE

For a complete list of options visit [www.BestAccessDoors.com](http://www.BestAccessDoors.com)

PRODUCT CODE	FOR OPENINGS W" x H"		SHIPPING WEIGHT		PANEL SIZE	UPC CODE/ 1 DOOR	UPC CODE/ PKG. OF 4	
	INCHES	(MM)	LBS	KG				
FLE PRO 6.5x8-W	6.5 x 6.5	(165 x 165)	TO 8 x 8	(203 x 203)	7	3.80	10 1/4 x 10 1/4	764728451383 10764728451380
FLE PRO 10.5x12-W	10.5 x 10.5	(266 x 266)	TO 12 x 12	(304 x 304)	13	5.90	14 1/4 x 14 1/4	764728451390 10764728451397
FLE PRO 14x15.5-W	14 x 14	(355 x 355)	TO 15.5 x 15.5	(393 x 393)	17.48	7.93	17 3/4 x 17 3/4	764728451055 10764728451052

Scan or Click

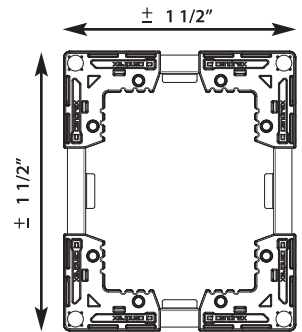


To view Pricing and Additional Product Info.



ADJUSTABLE TO DIFFERENT OPENING SIZES

FOR SQUARE OR RECTANGULAR OPENINGS



## PROJECT DATA

Custom Sizes Available - Fast!

PROJECT NAME :	QTY	W	H	OPTIONS
ARCHITECT :				
DEALER :				
CONTRACTOR :				
LOCATION :	SPECIAL INSTRUCTIONS :			
DATE :				
TAGGING INSTRUCTIONS :	SUBMITTAL APPROVAL : (signature or stamp)			

LEED READY: THIS PRODUCT CONTRIBUTES TO LEED® CREDITS



TELEPHONE:  
 1-800-483-0823  
 FAX:  
 1-888-828-6021



228 PARK AVE. S. #76520  
 NEW YORK, NY, 10003



WEBSITE:  
[www.BestAccessDoors.com](http://www.BestAccessDoors.com)  
 E-MAIL:  
[info@bestaccessdoors.com](mailto:info@bestaccessdoors.com)