



Quality Access Doors- FAST!

SUBMITTAL/TECHNICAL DATA SHEET

DESCRIPTIONS

Innovative skylight intended for both flat and pitched roofs featuring excellent thermal performance and modern design.

FEATURES

- Made of partially recycled multi-chamber PVC profiles.
- The inner profile side (visible from the inside) is in white (RAL 9010) and the outer one is black (RAL 9005). The outer aluminum profile covering the sash and frame is grey-brown (RAL 7022).
- Colorless weather sealant between the glazing unit and aluminum profile.
- Designed for rooms with periodically elevated humidity levels.
- Equipped with the PV solar panel with integrated battery and rain sensor.
- Electric actuator concealed in the skylight frame.
- Equipped with single chamber solar G33 glazing unit with internal glass laminated and warm spacer. Should the pane crack, shards of glass do not pose a danger but remain on the laminate film.
- 30 mm blackened area around perimeter of the glazing unit – modern design.
- Perfectly smooth modern design for easy water drainage.
- Suitable for pitches from 0° to 60°.
- Installed with the EL-C or EL-H flashing (15° to 60°).
- Option to install without the flashing (0° to 14°) – roof work required.
- Can be equipped with a wide range of additional accessories.
- Supplied with remote control and insect screen.
- Available in 10 standard sizes.
- Special wooden base required for installation.

SKU: **BA-FVC-S-L**

CURB-MOUNTED SOLAR VENTING SKYLIGHT



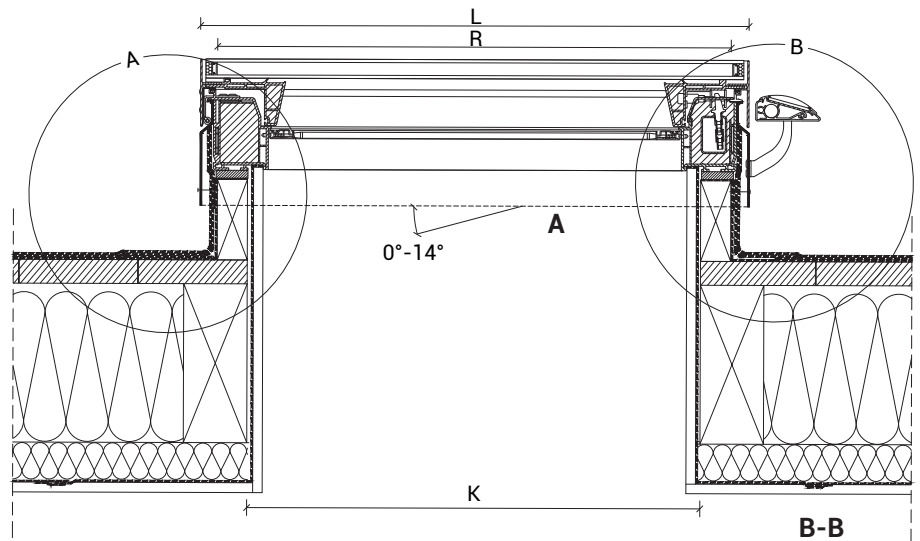
DIMENSIONS AND APPEARANCE

>> [CLICK TO VIEW ADDITIONAL DETAILS AND PRICING <<](#)

STANDARD SIZES:

Size	22 x 22	22 x 30	22 x 34	22 x 46	22 x 70
Outside frame (SxL)	27¼ x 27¼	27¼ x 35¼	27¼ x 39⅞	27¼ x 51¼	27¼ x 75⅞
Outside curb (WxR)	25½ x 25½	25½ x 33½	25½ x 37½	25½ x 49½	25½ x 73½
Inside curb (BxK)	22½ x 22½	22½ x 30½	22½ x 34½	22½ x 46½	22½ x 70½

Size	30 x 30	30x46	34x34	34x46	46x46
Outside frame (SxL)	35¼ x 35¼	35¼ x 51¼	39⅞ x 39⅞	39⅞ x 51¼	51¼ x 51¼
Outside curb (WxR)	33½ x 33½	33½ x 49½	37½ x 37½	37½ x 49½	49½ x 49½
Inside curb (BxK)	30½ x 30½	30½ x 46½	34½ x 34½	34½ x 46½	46½ x 46½



For a complete list of options visit www.BestAccessDoors.com

PROJECT DATA

Custom Sizes Available - Fast!

Scan or Click



To view Pricing and Additional Product Info.

PROJECT NAME :	QTY	W	H	OPTIONS
ARCHITECT :				
DEALER :				
CONTRACTOR :				
LOCATION :	SPECIAL INSTRUCTIONS :			
DATE :	SUBMITTAL APPROVAL : (signature or stamp)			
TAGGING INSTRUCTIONS :				

TELEPHONE:
1-800-483-0823
FAX:
1-888-828-6021



228 PARK AVE. S. #76520
NEW YORK, NY, 10003



WEBSITE:
www.BestAccessDoors.com
E-MAIL:
info@bestaccessdoors.com

BA-FVC-S-L CURB-MOUNTED SOLAR VENTING SKYLIGHTS

