



Quality Access Doors- FAST!

# SUBMITTAL/TECHNICAL DATA SHEET

## APPLICATION

FAKRO FVS solar powered deck mounted skylights are the autonomous products which do not require connection to the mains. Energy generated by photovoltaic panel is stored by an integrated battery. FVS skylights are ideal solutions for out of reach applications. While providing natural light their venting feature brings in a fresh air.

## FEATURES

- Suitable for roof pitches between 15-85°
- Rough opening (WxR): 46 1/2 x 45 1/2 in
- Outside frame (SxL): 48 1/2 x 46 3/8 in
- Daylight area (glass): 11.41 x 1.06 sq. ft. m2
- App Compatibility: Yes
- Color/Finish: Clear
- Exterior Material: Aluminum
- Installation Type: Deck mount
- Warranty: 10-year limited
- Interior Frame Material: Wood base
- Type: Skylight
- Frame Color/Finish: Grey
- Glass Insulation: Dual pane
- Glass Type: Tempered glass over laminated glass
- Glazing Type: Laminated
- Skylight Style: Solar-powered venting
- Remote Control Included: Yes

## SPECIFICATIONS

FRAME MATERIAL: Pine - Pressure Treated

FRAME FINISH: Two layers of clear acrylic lacquer

GLAZING: G31

- Low-E tempered over laminated
- Double-pane glazing unit with warm TGI spacer and Argon gas

RAIN SENSOR: Automatically closes the skylight in case of rain

GASKETS SYSTEM: Three rubber gaskets

CONTROL: Remote control (z-wave radio communication)

WARRANTY: 10 years for skylight and glazing, 2 years on electric motor and remote control

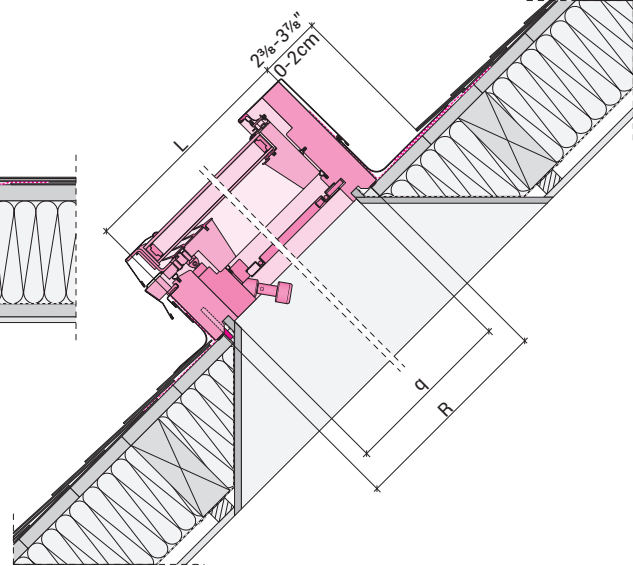
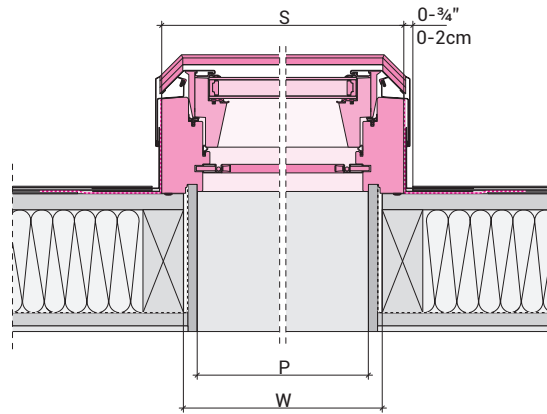
SKU: **BA-FVS-L**

## SOLAR POWERED VENTING DECK-MOUNTED SKYLIGHT



## DIMENSIONS AND APPEARANCE

>> CLICK TO VIEW ADDITIONAL DETAILS AND PRICING <<



For more details see the second page

### ADDITIONAL PRODUCTS TO BE USED:

Ice and Water Guard	- Fakro Euroband or similar self-adhesive underlayment	Flashings	- EH - for roof tiles, corrugated metal and standing seam - EL - for shingles and shakes
Included mounting accessories	- Bit PZ2 50mm length - Bit PZ3 50 mm length - Nail 2,5x25 - Base pin	External accessories	- SMZ solar awning blind
	- Countersunk head screw 4x30 A2 RAL 7022 - Countersunk head screw 6x200 galvanized PZ3	Internal accessories	- SRF blackout blind - SRP light reducing blind

For a complete list of options visit [www.BestAccessDoors.com](http://www.BestAccessDoors.com)

## PROJECT DATA

Custom Sizes Available - Fast!

Scan or Click



PROJECT NAME :	QTY	W	H	OPTIONS
ARCHITECT :				
DEALER :				
CONTRACTOR :				
LOCATION :	SPECIAL INSTRUCTIONS :			
DATE :				
TAGGING INSTRUCTIONS :	SUBMITTAL APPROVAL : (signature or stamp)			

To view Pricing and Additional Product Info.

TELEPHONE:  
1-800-483-0823  
FAX:  
1-888-828-6021



228 PARK AVE. S. #76520  
NEW YORK, NY, 10003



WEBSITE:  
[www.BestAccessDoors.com](http://www.BestAccessDoors.com)

E-MAIL:  
[info@bestaccessdoors.com](mailto:info@bestaccessdoors.com)

# BA-FVS-L SOLAR POWERED DECK MOUNTED SKYLIGHT FVS

**DIMENSIONS:**

Size		301	304	306	308	312	504	506	508	801	806
Rough opening (WxR)	in. mm	20 <sup>7</sup> / <sub>8</sub> x 27 530 x 685	20 <sup>7</sup> / <sub>8</sub> x 38 530 x 965	20 <sup>7</sup> / <sub>8</sub> x 45 <sup>7</sup> / <sub>8</sub> 530 x 1165	20 <sup>7</sup> / <sub>8</sub> x 54 <sup>1</sup> / <sub>2</sub> 530 x 1385	20 <sup>7</sup> / <sub>8</sub> x 70 <sup>3</sup> / <sub>8</sub> 530 x 1787	29 <sup>7</sup> / <sub>8</sub> x 38 760 x 965	29 <sup>7</sup> / <sub>8</sub> x 45 <sup>7</sup> / <sub>8</sub> 760 x 1165	29 <sup>7</sup> / <sub>8</sub> x 54 <sup>1</sup> / <sub>2</sub> 760 x 1385	44 <sup>1</sup> / <sub>8</sub> x 27 1120 x 685	44 <sup>1</sup> / <sub>8</sub> x 45 <sup>7</sup> / <sub>8</sub> 1120 x 1165
Outside frame (SxR)	in. mm	23 x 27 <sup>3</sup> / <sub>4</sub> 585 x 706	23 x 38 <sup>7</sup> / <sub>8</sub> 585 x 986	23 x 46 <sup>3</sup> / <sub>4</sub> 585 x 1186	23 x 55 <sup>3</sup> / <sub>8</sub> 585 x 1406	23 x 71 <sup>3</sup> / <sub>16</sub> 585 x 1808	32 <sup>1</sup> / <sub>8</sub> x 38 <sup>7</sup> / <sub>8</sub> 815 x 986	32 <sup>1</sup> / <sub>8</sub> x 46 <sup>3</sup> / <sub>4</sub> 815 x 1186	32 <sup>1</sup> / <sub>8</sub> x 55 <sup>3</sup> / <sub>8</sub> 815 x 1406	46 <sup>1</sup> / <sub>4</sub> x 27 <sup>3</sup> / <sub>4</sub> 1175 x 706	46 <sup>1</sup> / <sub>4</sub> x 46 <sup>3</sup> / <sub>4</sub> 1175 x 1186
Daylight area (Glass)	sq. ft. m2	2.37 0.22	3.64 0.34	4.54 0.42	5.54 0.52	7.37 0.69	5.62 0.52	7.03 0.65	8.57 0.80	5.68 0.53	10.91 1.01
Finished opening (PxQ)	in.	20 <sup>7</sup> / <sub>8</sub> x 24 <sup>7</sup> / <sub>8</sub>	20 <sup>7</sup> / <sub>8</sub> x 35 <sup>7</sup> / <sub>8</sub>	20 <sup>7</sup> / <sub>8</sub> x 43 <sup>3</sup> / <sub>4</sub>	20 <sup>7</sup> / <sub>8</sub> x 52 <sup>3</sup> / <sub>8</sub>	20 <sup>7</sup> / <sub>8</sub> x 68 <sup>1</sup> / <sub>8</sub>	28 <sup>7</sup> / <sub>8</sub> x 35 <sup>7</sup> / <sub>8</sub>	28 <sup>7</sup> / <sub>8</sub> x 43 <sup>3</sup> / <sub>4</sub>	28 <sup>7</sup> / <sub>8</sub> x 52 <sup>3</sup> / <sub>8</sub>	44 <sup>7</sup> / <sub>8</sub> x 24 <sup>7</sup> / <sub>8</sub>	44 <sup>7</sup> / <sub>8</sub> x 43 <sup>3</sup> / <sub>4</sub>

**TECHNICAL PARAMETERS:**

Technical parameters	Glazing unit type	
	Unit	G31
U-factor	[BTU/h ft²F]	0.41
Ug for glazing unit	[BTU/h ft²F]	0.19
Solar Heat Gain Coefficient	-	0.19
Air Leakage	[cfm/ft²] @ 1.57 psf, tested size 24x70	0.04
Visible Transmittance	-	0.36
UV protection	-	99.8
Condensation Resistance	-	65
Water Penetration Resistance Test Pressure	[Pa]	730
Wind load resistance	Class C1/B1	
Impact resistance	Class 3 – 450 mm	

