



Quality Access Doors- FAST!

SUBMITTAL/TECHNICAL DATA SHEET

SPECIFICATIONS

01. Heavy duty forged brass hinges with stainless steel pins
02. Guide arm (If req'd)
03. 1-1/2" Drain coupling
04. Standard slam lock
05. Automatic hold open arm with red vinyl grip
06. 1/4" Steel diamond pattern plate cover
07. 1/4" Steel channel frame with welded 1 1/4" x 1 1/4" anchor flange
08. Heavy duty check chain
08. Lifting mechanism with reinforced composite tubes & compression springs

SHOP FINISH:

- ALUMINUM: Mill finish
- HARDWARE: Type 316 Stainless steel (Unless otherwise specified)

Reinforced for H20 loading

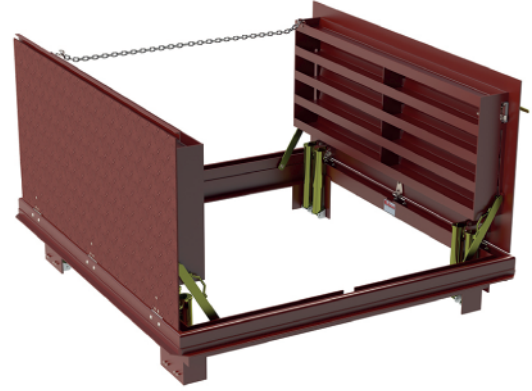
INSTALLER NOTES:

- A. Use caution. Cover is spring loaded. Do not remove safety shipping bolt until unit is to be installed and in normal horizontal operating position.
- B. Be sure unit is set on slight pitch toward drain corner.
- C. Before anchoring in place open and close door. Check to see that the door in the closed position rests on the frame all around. If not, shim under the frame at the proper corner.
- D. Do not reduce 1 1/2" drain pipe to dry well or disposal system.

For a complete list of options visit www.BestAccessDoors.com

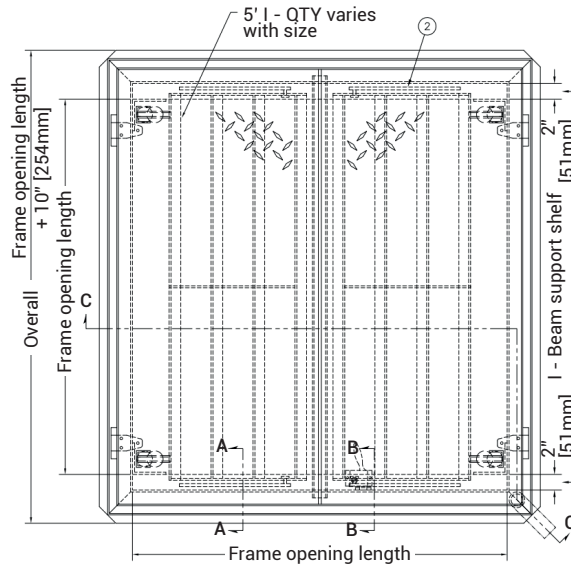
QTY	TYPE	SIZE WIDTH X LENGTH	SHELF DEPTH
■	JD-1H20	4'-0" X 2'-6" [1220mm] X [762mm]	4 1/2" [114mm]
■	JD-2H20	4'-0" X 4'-0" [1220mm] X [1220mm]	5 1/2" [140mm]
■	JD-3H20	4'-0" X 6'-0" [1220mm] X [1830mm]	7 1/2" [191mm]
■	JD-4H20	5'-0" X 5'-0" [1525mm] X [1525mm]	6 1/2" [165mm]

SKU: BA-JD-H20 FLOOR ACCESS DOOR DOUBLE LEAF - EXTERIOR



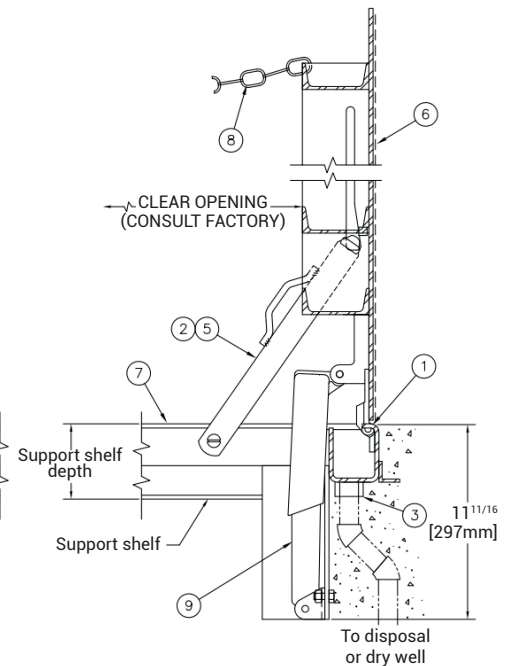
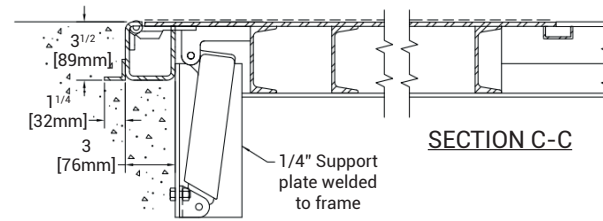
DIMENSIONS AND APPEARANCE

>> CLICK TO VIEW ADDITIONAL DETAILS AND PRICING <<



NOTE:
DESIGNED TO WITHSTAND H-20 WHEEL LOADING SUITABLE FOR USE IN OFFSTREET LOCATIONS WHERE NOT SUBJECTED TO HIGH DENSITY TRAFFIC

For more details see submittal page.



PROJECT DATA

Custom Sizes Available - Fast!

Scan or Click



PROJECT NAME :	QTY	W	H	OPTIONS
ARCHITECT :				
DEALER :				
CONTRACTOR :				
LOCATION :	SPECIAL INSTRUCTIONS :			
DATE :				
TAGGING INSTRUCTIONS :	SUBMITTAL APPROVAL : (signature or stamp)			

TELEPHONE:
1-800-483-0823
FAX:
1-888-828-6021



228 PARK AVE. S. #76520
NEW YORK, NY, 10003

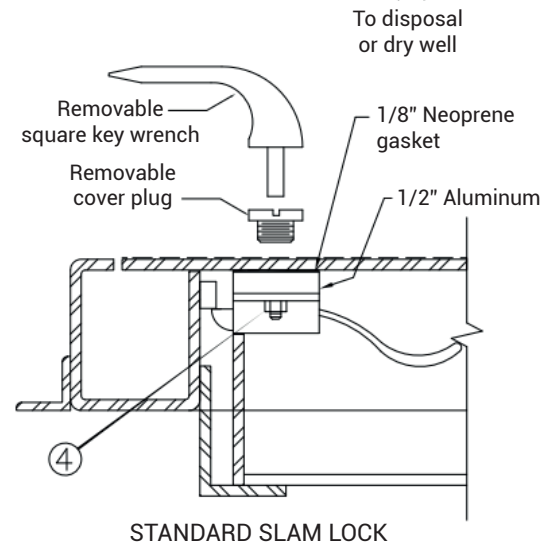
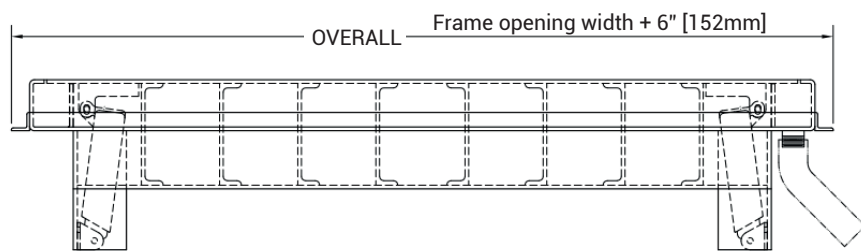
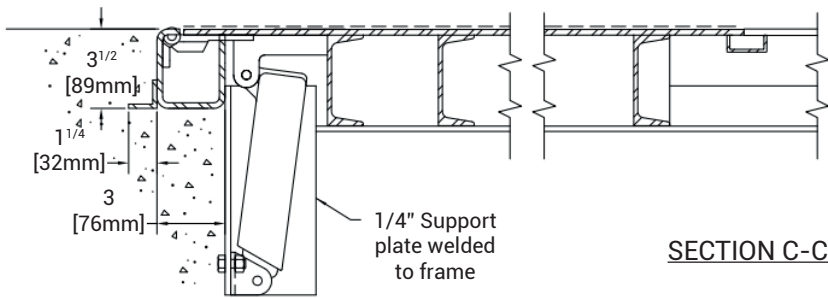
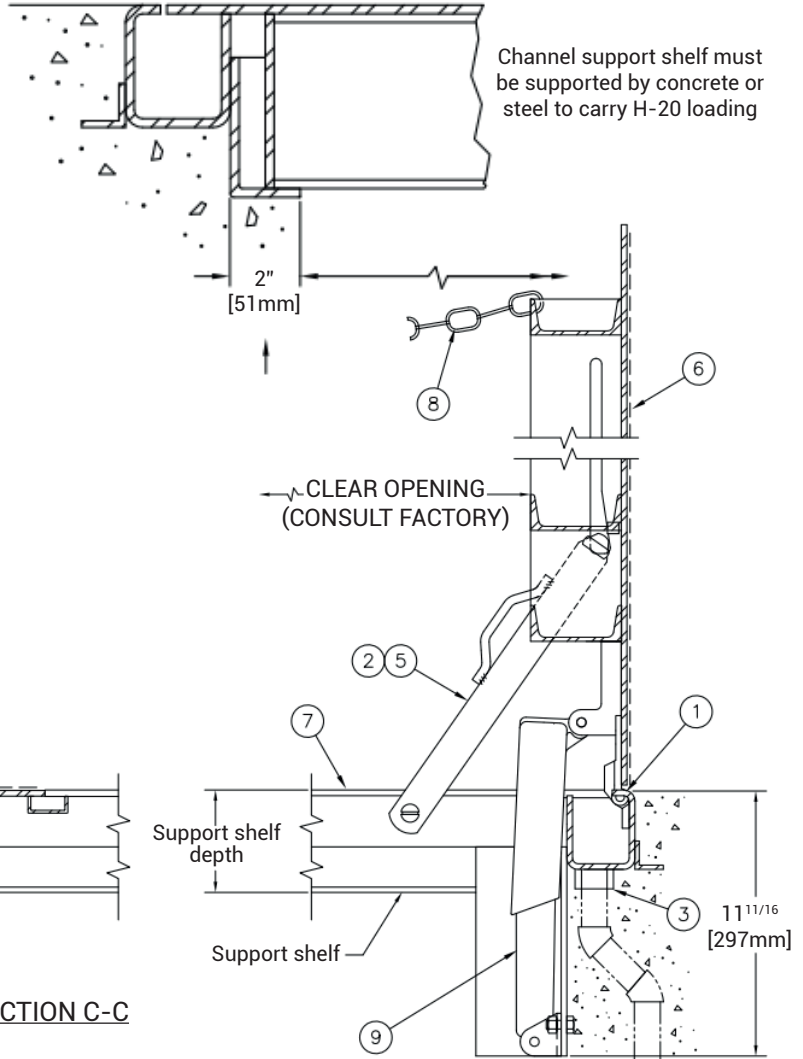
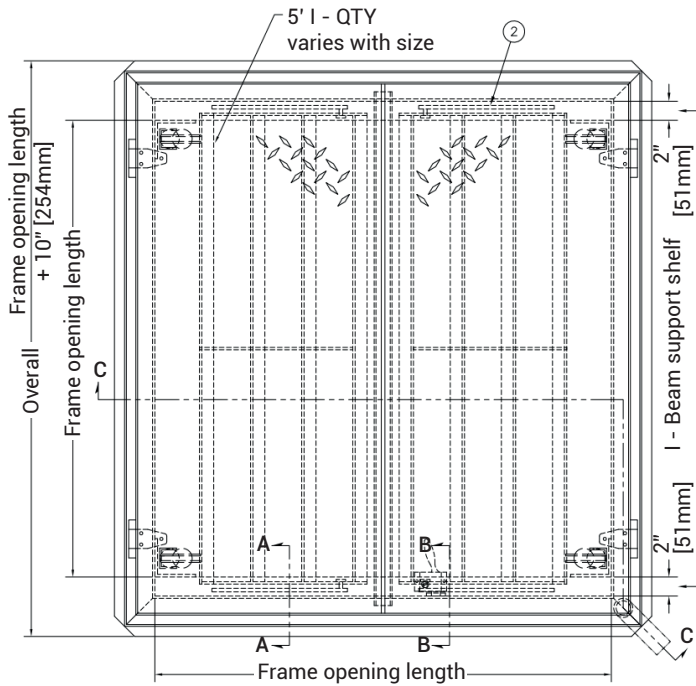


WEBSITE:
www.BestAccessDoors.com
E-MAIL:
info@bestaccessdoors.com

To view Pricing and Additional Product Info.

BA-JD-H20

EXTERIOR DOUBLE LEAF FLOOR ACCESS DOOR



To disposal or dry well