



Quality Access Doors- FAST!

SUBMITTAL/TECHNICAL DATA SHEET

SPECIFICATIONS

MATERIAL:

- M: 14 gauge galvanized steel cover and curb
- RB: 14 gauge galvanized steel cover and curb
- RC: .090 Aluminum cover and 14 gauge galvanized steel curb
- RD: .090 Aluminum cover and curb

FINISH:

- Galvanized Steel: White Powder Coat
- Aluminum: Mill Finish

COVER:

- M & RB: 14 gauge galvanized steel exterior with 22 gauge galvanized steel liner bonded to core of 1" rigid styrofoam insulation (M Style) or 1" fiberglass insulation (RB Style).
- RC & RD: Mill finish .090 aluminum exterior with .063 aluminum liner with 1" fiberglass insulation. (RD-1 uses 1" Styrofoam insulation).

CURB:

- M, RB & RC: 14 gauge galvanized steel with a 12" high curb, integral counterflashing, 3-1/2" wide mounting flanges with pre-drilled holes and 1" exterior fiberboard insulation
- RD: Mill finish .090 aluminum with a 12" high curb, integral counterflashing, 3-1/2" wide mounting flanges with pre-drilled holes and 1" exterior fiberboard insulation

GASKET: Extruded EPDM rubber gasket adhered to cover

HINGES: Steel Pintle Hinge

LIFT ASSIST: Cover operation is assisted by enclosed heavy-duty Torsion Coil Spring

LATCHES: Slam latch with exterior handles and padlock hasps.

HARDWARE: All hardware is zinc plated (stainless steel hardware optional)

LOAD CAPACITY:

- M & RD-1: 70 psf
- RB, RC & RD-3x3: 40 psf

For a complete list of options visit www.BestAccessDoors.com



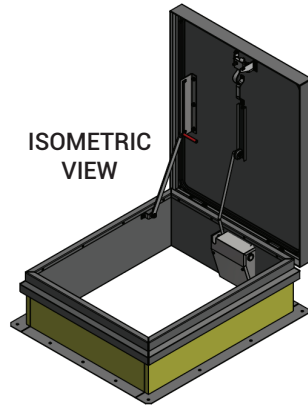
SKU: **BA-M-3X3**

SINGLE LEAF ROOF HATCH

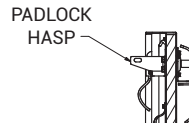


DIMENSIONS AND APPEARANCE

>> [CLICK TO VIEW ADDITIONAL DETAILS AND PRICING <<](#)

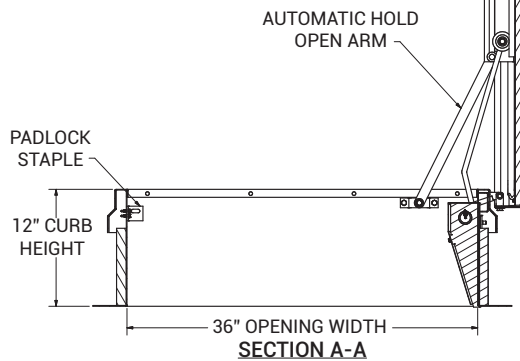


ISOMETRIC VIEW



PADLOCK HASP

See more Details on Submittal Sheet

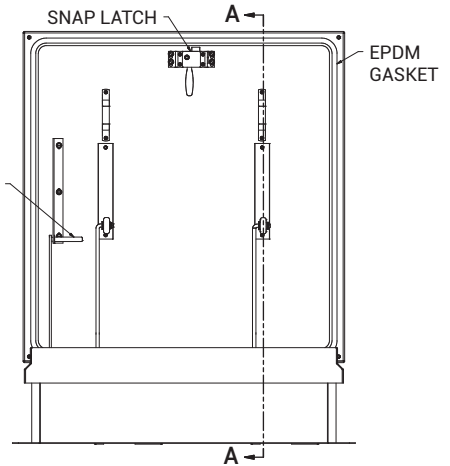


PADLOCK STAPLE

12" CURB HEIGHT

AUTOMATIC HOLD OPEN ARM

36" OPENING WIDTH SECTION A-A

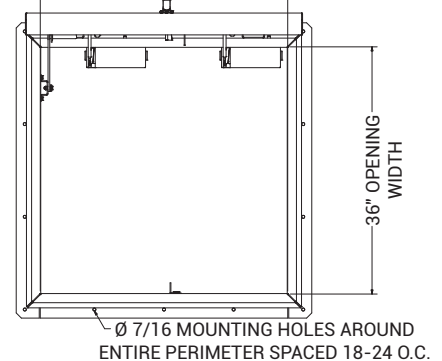


SNAP LATCH

EPDM GASKET

RED VINYL GRIP

6" OPENING LENGTH



36" OPENING WIDTH

Ø 7/16 MOUNTING HOLES AROUND ENTIRE PERIMETER SPACED 18-24 O.C.

PROJECT DATA

Custom Sizes Available - Fast!

PROJECT NAME :	QTY	W	H	OPTIONS
ARCHITECT :				
DEALER :				
CONTRACTOR :				
LOCATION :	SPECIAL INSTRUCTIONS :			
DATE :	SUBMITTAL APPROVAL : (signature or stamp)			
TAGGING INSTRUCTIONS :				

Scan or Click



To view Pricing and Additional Product Info.

TELEPHONE:
1-800-483-0823
FAX:
1-888-828-6021



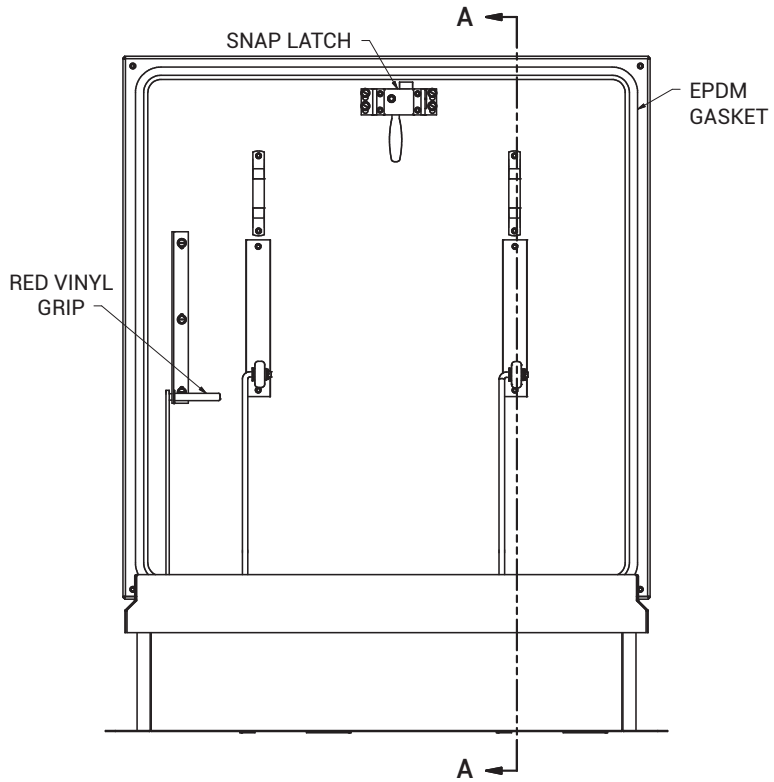
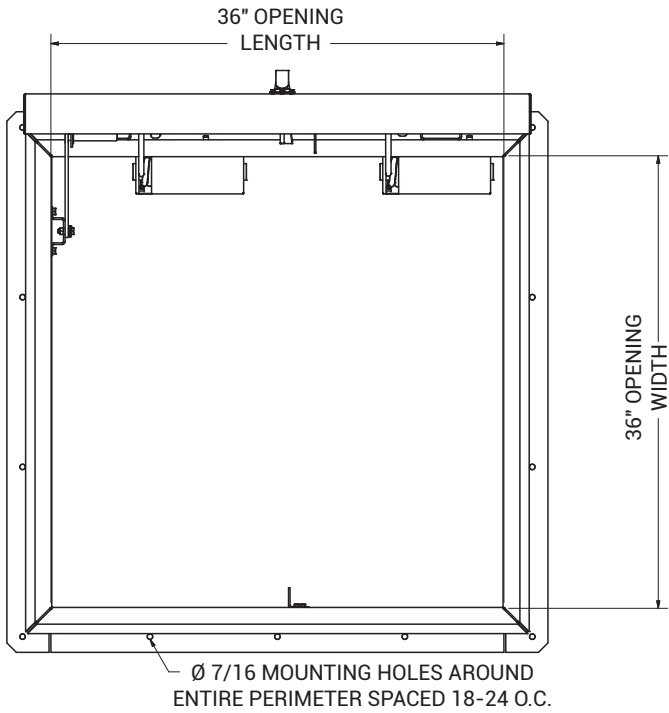
228 PARK AVE. S. #76520
NEW YORK, NY, 10003



WEBSITE:
www.BestAccessDoors.com
E-MAIL:
info@bestaccessdoors.com

BA-M-3X3

LADDER ACCESS ROOF HATCHES



NOTES:

SIZE: 3'-0" X 3'-0"

1. CURB MATERIALS
 - a. 14 GA GALVANIZED CURB
2. CURB CAP MATERIALS
 - b. 14 GA GALVANIZED CURB CAP
3. CURB INSULATION THICKNESS AND MATERIALS
 - c. 1" RIGID FIBERBOARD CURB INSULATION
4. COVER MATERIALS
 - d. 14 GA GALVANIZED COVER
5. COVER LINER MATERIALS
 - e. 22 GA GALVANIZED COVER LINER
6. COVER INSULATION THICKNESS AND MATERIALS
 - f. 1" POLYSTYRENE COVER INSULATION
7. COVER RATED FOR 70PSF LIVE LOAD
8. COVER AND CURB ARE PAINTED WHITE
9. ZINC PLATED HARDWARE

