



228 Park Ave S # 76520  
 New York NY 10003-1502  
 United States  
 www.BestAccessDoors.com  
 sales@bestaccessdoors.com  
 Tel.: 1-800-483-0823  
 Fax: 1-888-828-6021

# INSULATED EXTERIOR ACCESS DOOR

**BA-MX**

**For All Types of Construction**

DATE



## SPECIFICATIONS

### CONSTRUCTION:

1. Frame shall be 18 gage galvanized steel.
2. Door shall be 18 gage galvanized steel.
3. Door shall be welded, watertight pan.
4. Corners of trim shall be welded & ground smooth.
5. Gasketing between door and frame 3/8" wide by 1/8" thick closed cell neoprene gasketing.
6. Insulation shall be 1" thick polystyrene w/ 5.0 R-value @ 75 degree F temperature.
7. Hinge shall be continuous galvanized piano hinge.
8. Latches shall be Lift & Turn Compression Latch including cup sealing gasket finished in textured chrome. Keyed.
9. Finish shall be prime coat of rust inhibitive electrostatic powder, baked white enamel. Stainless steel shall have No.

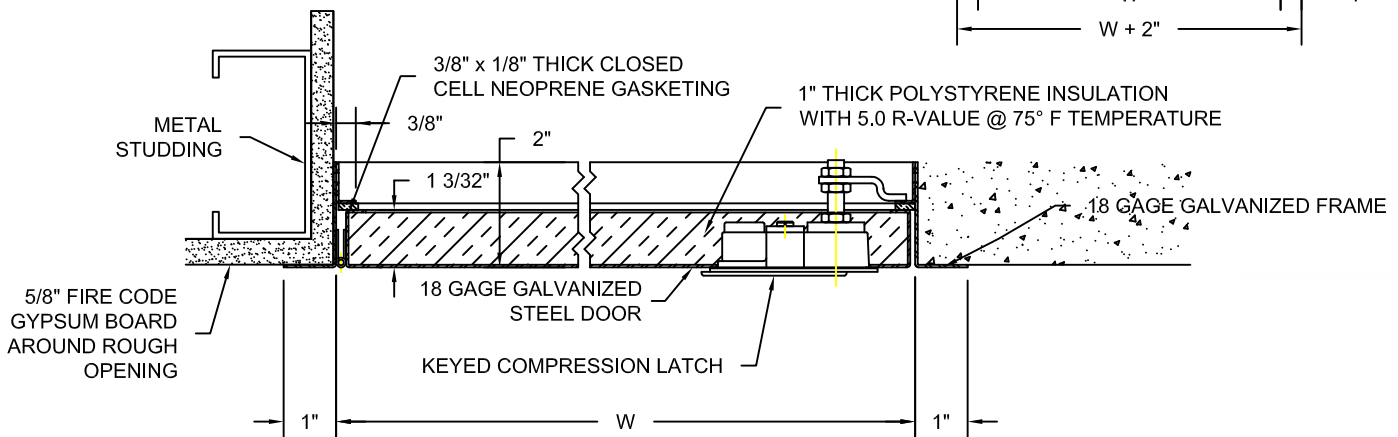
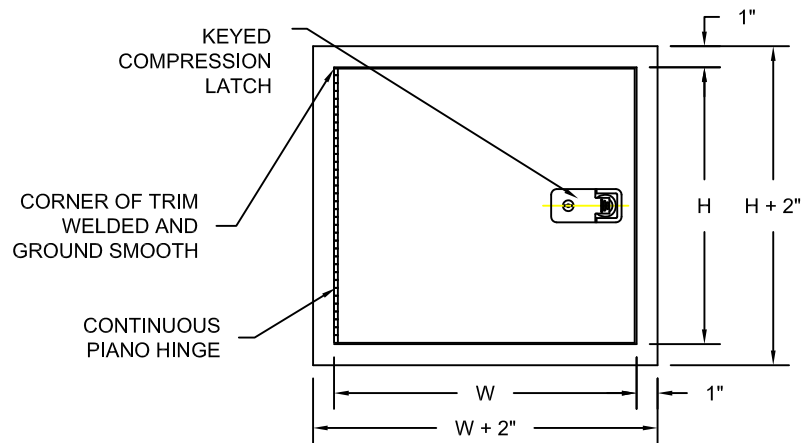
### STANDARD SIZES (Special sizes on request)

DOOR SIZE H X W (IN.)	WALL/CEILING OPENING (IN.)	NUMBER OF STUD LATCHES	SHIP WT. (LBS.)
12 x 12	12 3/8 x 12 3/8	1	6.3
18 x 18	18 3/8 x 18 3/8	1	10.5
24 x 24	24 3/8 x 24 3/8	2	16.0
30 x 22	30 3/8 x 22 3/8	2	18.0
30 x 30	30 3/8 x 30 3/8	2	27.0
36 x 24	36 3/8 x 24 3/8	2	24.0
36 x 36	36 3/8 x 36 3/8	2	36.0

\*Available in stainless steel

PROJECT DATA					
Project Name:					
Architect:					
Contractor:					
Agent/Customer Name:					
Tagging Instructions:					
Special Instructions:					

PROJECT SCHEDULE					
Qty.	H	W	No. of Latches	Finish	Remarks



SECTION A-A