



Quality Access Doors- FAST!

SUBMITTAL/TECHNICAL DATA SHEET

STANDARD OPTIONS

MATERIAL:
Extruded mill finish aluminum frame and door contour with moisture resistant drywall inlay

HINGE:
Concealed free pivot hinge

LOCK / LATCH:
Concealed push-latch

ODD SIZE AVAILABLE:
These doors are manufactured in 15 business days.

REMOVABLE DOOR:
With retaining cables

PACKAGING:
Individually wrapped, 1 per box

OPTIONS AVAILABLE

LOCK / LATCH:
Cylinder or screwdriver latch

FINISH:
Factory taped, primed door

SKU: **BA-RAL-58**

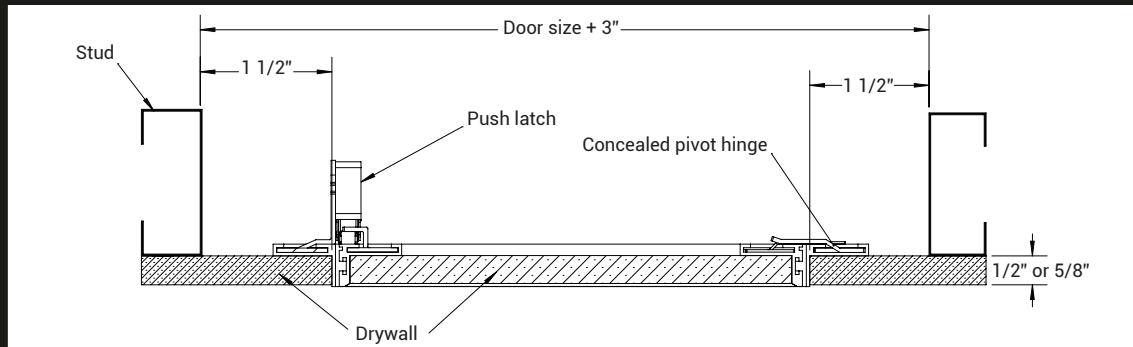
RECESSED ACCESS DOOR WITH ALUM. FRAME AND DRYWALL INLAY

FOR ALL DRYWALL SURFACES



INSTALLATION

>> [CLICK TO VIEW ADDITIONAL DETAILS AND PRICING <<](#)



DIMENSIONS AND APPEARANCE

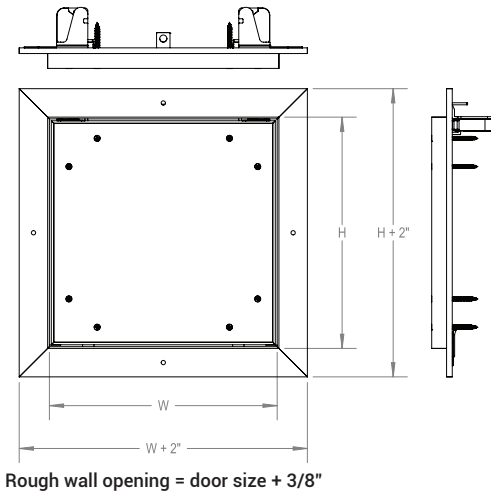
STANDARD SIZES:

DOOR SIZE W x H		WEIGHT LBS		WEIGHT LBS	
INCHES	(MM)	1/2" DRYWALL	5/8" DRYWALL	1/2" DRYWALL	5/8" DRYWALL
8" x 8"	(203 x 203)	2.3	2.8	1.0	1.3
12" x 12"	(304 x 304)	3.5	4.4	1.6	2.0
16" x 16"	(406 x 406)	4.9	6.5	2.2	3.0
18" x 18"	(457 x 457)	5.8	7.8	2.6	3.5
20" x 20"	(508 x 508)	6.7	9.1	3.0	4.1
24" x 24"	(609 x 609)	8.8	12.2	4.0	5.5
36" x 36"	(914 x 914)	16.9	24.2	7.7	11.0
24" x 48"	(609 x 1219)	15.5	22.1	7.0	10.0

* Available for 1/2' and 5/8" drywall

** For wall installation, hinges must be located along the floor side (width)

*** **Hinge location: on the first two digits (width)**



For a complete list of options visit www.BestAccessDoors.com

Scan or Click



To view Pricing and Additional Product Info.

LEED READY: THIS PRODUCT CONTRIBUTES TO LEED® CREDITS

PROJECT DATA

Custom Sizes Available - Fast!

PROJECT NAME :	QTY	W	H	OPTIONS
ARCHITECT :				
DEALER :				
CONTRACTOR :				
LOCATION :	SPECIAL INSTRUCTIONS :			
DATE :				
TAGGING INSTRUCTIONS :	SUBMITTAL APPROVAL : (signature or stamp)			



TELEPHONE:
1-800-483-0823
FAX:
1-888-828-6021



228 PARK AVE. S. #76520
NEW YORK, NY, 10003



WEBSITE:
www.BestAccessDoors.com
E-MAIL:
info@bestaccessdoors.com