



Quality Access Doors- FAST!

# SUBMITTAL/TECHNICAL DATA SHEET

## SPECIFICATIONS

### MATERIAL:

- M: 14 gauge galvanized steel cover and curb
- RD: .090 Aluminum cover and curb

### FINISH:

- Galvanized Steel: White Powder Coat
- Aluminum: Mill Finish

### COVER:

- M: 14 gauge galvanized steel exterior with 22 gauge galvanized steel liner bonded to core of 1" rigid styrofoam insulation (M Style) or 1" fiberglass insulation (RB Style).
- RD: Mill finish .090 aluminum exterior with .063 aluminum liner with 1" fiberglass insulation. (RD-1 uses 1" Styrofoam insulation).

### CURB:

- M: 14 gauge galvanized steel exterior with 22 gauge galvanized steel liner, a 12" high curb, integral counterflashing, 3-1/2" wide mounting flanges with pre-drilled holes and 2" Polyisocyanurate insulation
- RD: Mill finish .090 aluminum exterior with .063 aluminum liner, a 12" high curb, integral counterflashing, 3-1/2" wide mounting flanges with pre-drilled holes and 2" Polyisocyanurate insulation

**GASKET:** Extruded EPDM rubber gasket adhered to cover

**HINGES:** Steel Pintle Hinge

**LIFT ASSIST:** Cover operation is assisted by enclosed heavy-duty Torsion Coil Spring

**LATCHES:** Slam latch with exterior handles and padlock hasps.

**HARDWARE:** All hardware is zinc plated (stainless steel hardware optional)

**LOAD CAPACITY:** 70 psf

SKU: **BA-RD-3-EE**

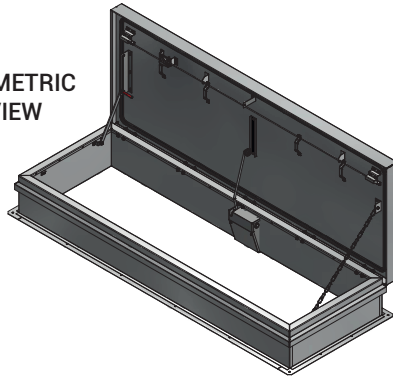
## SINGLE LEAF ROOF HATCH



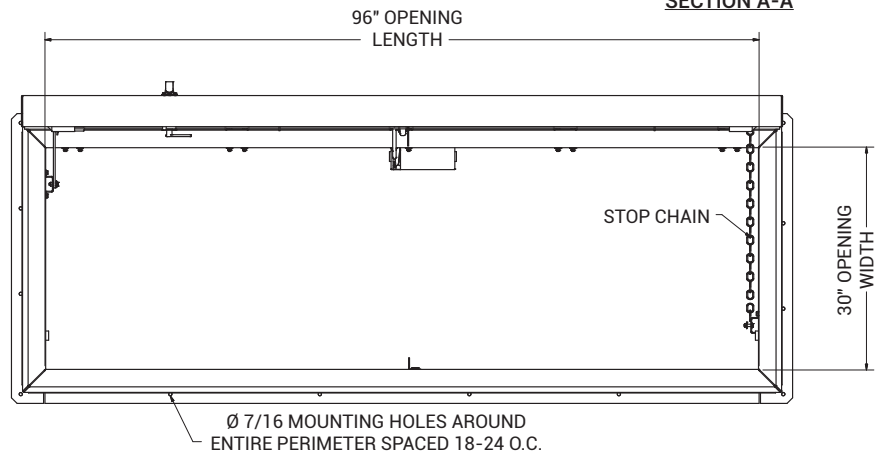
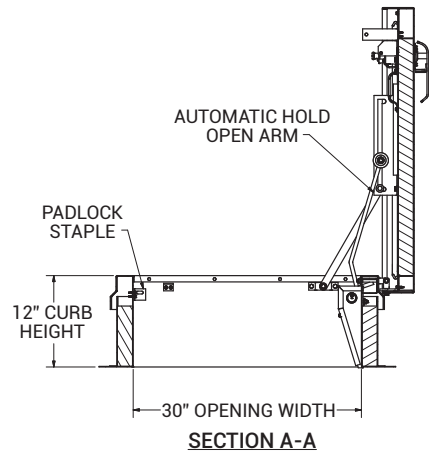
## DIMENSIONS AND APPEARANCE

>> [CLICK TO VIEW ADDITIONAL DETAILS AND PRICING <<](#)

ISOMETRIC VIEW



See more Details on Submittal Sheet



For a complete list of options visit [www.BestAccessDoors.com](http://www.BestAccessDoors.com)

## PROJECT DATA

Custom Sizes Available - Fast!

Scan or Click



To view Pricing and Additional Product Info.

PROJECT NAME :	QTY	W	H	OPTIONS
ARCHITECT :				
DEALER :				
CONTRACTOR :				
LOCATION :	SPECIAL INSTRUCTIONS :			
DATE :	SUBMITTAL APPROVAL : (signature or stamp)			
TAGGING INSTRUCTIONS :				

TELEPHONE:  
1-800-483-0823

FAX:  
1-888-828-6021



228 PARK AVE. S. #76520  
NEW YORK, NY, 10003



WEBSITE:  
[www.BestAccessDoors.com](http://www.BestAccessDoors.com)

E-MAIL:  
[info@bestaccessdoors.com](mailto:info@bestaccessdoors.com)

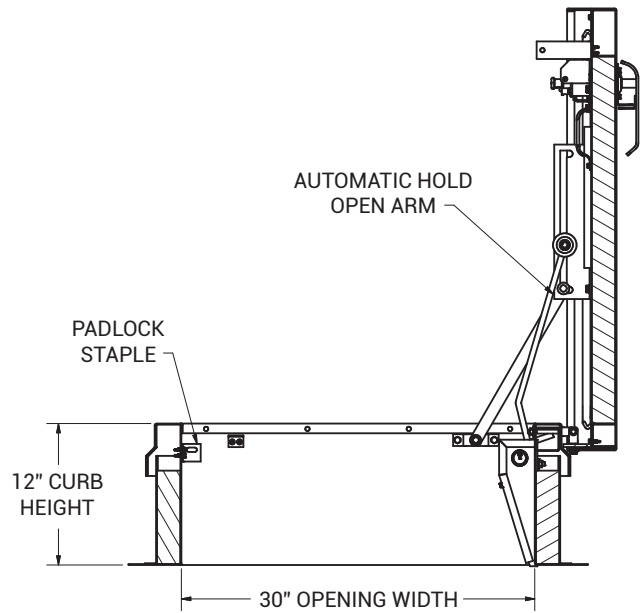
# BA-RD-3-EE

# SINGLE LEAF ROOF HATCH

**NOTES:**

SIZE: 2'-6" X 8'-0"

1. CURB MATERIALS
  - a. 0.090 ALUMINUM CURB
2. CURB CAP MATERIALS
  - b. 0.090 ALUMINUM CURB CAP
3. CURB LINER MATERIALS
  - c. 0.063 ALUMINUM CURB LINER
4. CURB INSULATION THICKNESS AND MATERIALS
  - d. 2" POLYISOCYANURATE CURB INSULATION
5. COVER MATERIALS
  - e. 0.090 ALUMINUM COVER
6. COVER LINER MATERIALS
  - f. 0.063 ALUMINUM COVER LINER
7. COVER INSULATION THICKNESS AND MATERIALS
  - g. 2" POLYISOCYANURATE COVER INSULATION
8. COVER RATED FOR 70PSF LIVE LOAD
9. COVER AND CURB ARE MILL FINISH
10. ZINC PLATED HARDWARE



**SECTION A-A**

