



Quality Access Doors - FAST!

SUBMITTAL/TECHNICAL DATA SHEET

APPLICATION

Acudor Equipment Access Roof Hatches are designed to provide convenient, economical access to the roof of a building where larger openings are required. This opening allows for equipment to be installed or removed from a building through the roof.

FEATURES

- Weather tight construction
- Convenient one-hand operation
- 12" high insulated curb
- Supports 40lbs./sq. ft. live load
- Stainless Steel Hardware

OPTIONAL FEATURES

- Painted and Anodized finishes
- Polycarbonate domes for daylighting
- Louvered Curbs • Curb Mounted Units
- Curb pitch corrected for sloped roof
- Higher curb heights for "green roof" applications

SPECIFICATIONS

COVER: Double-skin construction ("in box type design") with 1" Polyiso (R-6) insulation and a continuous EPDM foam weather/draft seal gasket that is attached to the inside of cover to provide a flush, tight fit. Designed to support a live load of 40lbs./sq. ft., the cover is 1/8" thick aluminum with a 20 gauge aluminum inside liner.

CURB: 1/8" thick aluminum with 1" thick Polyiso (R-6) insulation at curb exterior. Curb is 12" high, with 3.375" wide bottom flange on a pre-drilled mounting holes.

HINGE: Heavy duty Aluminum pintle hinges with 3/8" SS pin.

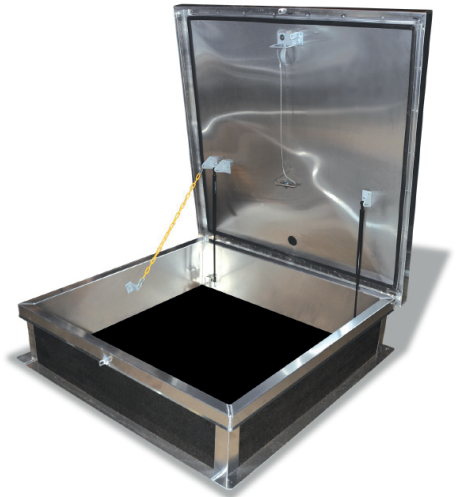
OPENING: Gas spring operators allow cover to open and close with ease. Stainless Steel Inside pull handle allows for easy control when closing cover.

DOOR LATCH: Self latching, Stainless steel outside T handle with stainless steel inside lock and lever assembly. Unit also has inside and outside padlock provisions.

FINISH: Mill finish

SKU: **BA-RHA-EQ-SL**

ALUMINUM EQUIPMENT ACCESS ROOF HATCH

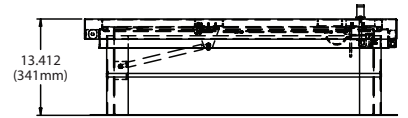


DIMENSIONS AND APPEARANCE

>> CLICK TO VIEW ADDITIONAL DETAILS AND PRICING <<

STANDARD SIZES:

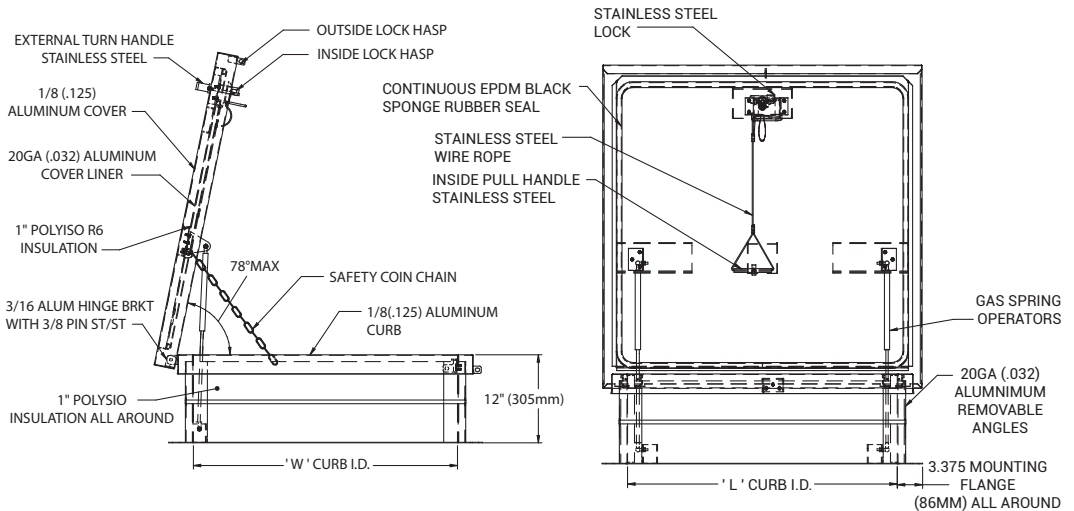
MODEL	CURB ID L&W INCHES (MM)	WEIGHT	
		LBS	KG
A5656	48 x 48 (1219 x 1219)	115	52.3



For detailed specifications see submittal sheet

MANUFACTURED BY ACUDOR

ASSEMBLY NOTE:
Unit shall be completely assembled as shown and supplied to job ready for installation
FINISH: Mill



For a complete list of options visit www.BestAccessDoors.com

PROJECT DATA

Custom Sizes Available - Fast!

Scan or Click



PROJECT NAME :	QTY	W	H	OPTIONS
ARCHITECT :				
DEALER :				
CONTRACTOR :				
LOCATION :	SPECIAL INSTRUCTIONS :			
DATE :				
TAGGING INSTRUCTIONS :	SUBMITTAL APPROVAL : (signature or stamp)			

To view Pricing and Additional Product Info.

TELEPHONE:
1-800-483-0823
FAX:
1-888-828-6021



228 PARK AVE. S. #76520
NEW YORK, NY, 10003



WEBSITE:
www.BestAccessDoors.com
E-MAIL:
info@bestaccessdoors.com



SUBMITTAL

TELEPHONE:
1-800-483-0823
FAX:
1-888-828-6021

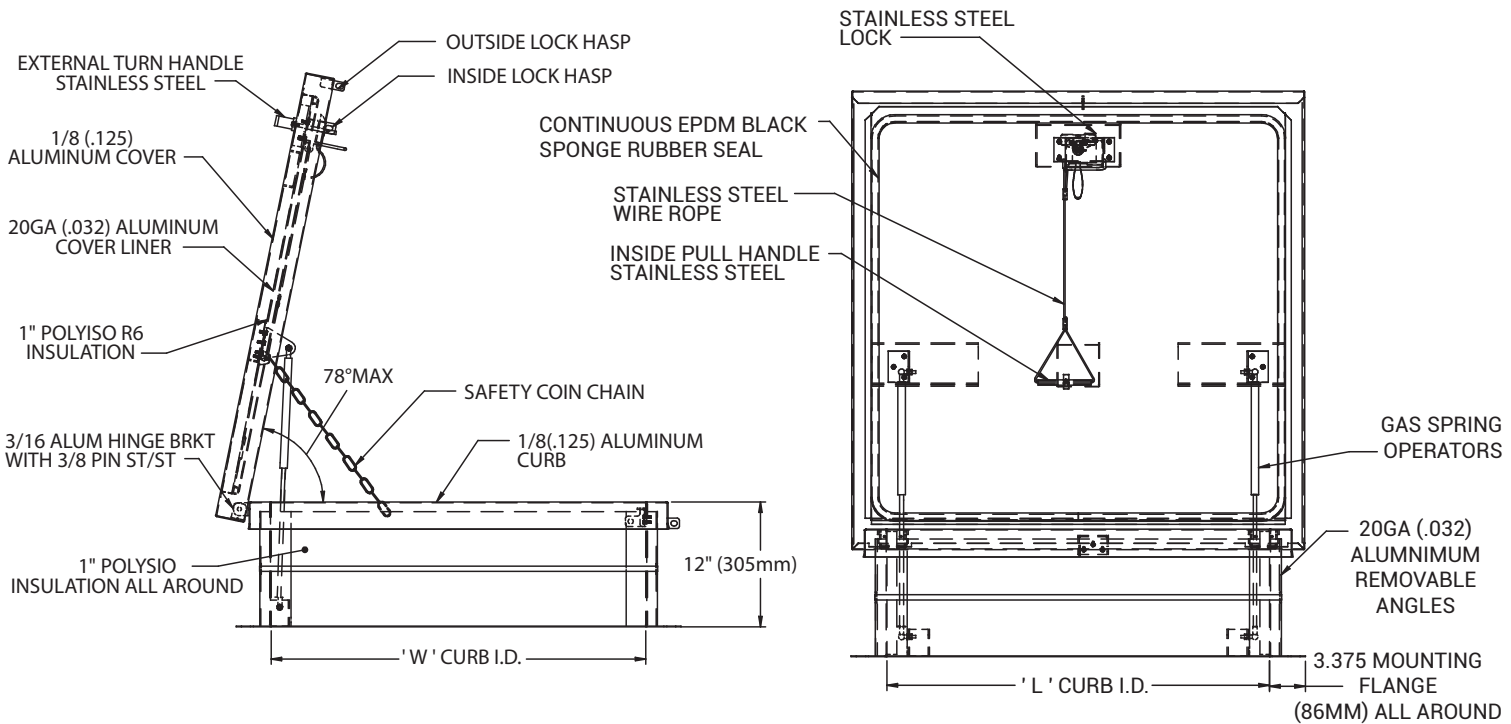
228 PARK AVE. S. #76520
NEW YORK, NY, 10003

WEBSITE:
www.BestAccessDoors.com
E-MAIL:
info@bestaccessdoors.com

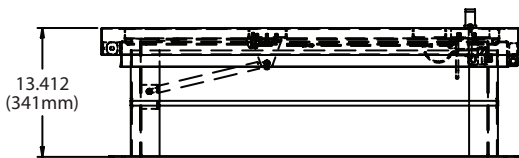
Quality Access Doors- FAST!

BA-RHA-EQ-SL EQUIPMENT ACCESS ROOF HATCH - ALUMINUM

QTY	OPENING WIDTH 'W'	OPENING LENGTH 'L'	QTY	OPENING WIDTH 'W'	OPENING LENGTH 'L'
	48" (1219mm)	48" (1219mm)			



MANUFACTURED BY ACUDOR



ASSEMBLY NOTE:

Unit shall be completely assembled as shown and supplied to job ready for installation

FINISH: Mill