



Quality Access Doors- FAST!

SUBMITTAL/TECHNICAL DATA SHEET

APPLICATION

Acudor Equipment Access Roof Hatches are designed to provide convenient, economical access to the roof of a building where larger openings are required. This opening allows for equipment to be installed or removed from a building through the roof.

FEATURES

- Weather tight construction
- Convenient one-hand operation
- 12" high insulated curb
- Supports 40lbs./sq. ft. live load
- G90 Galv. Steel
- Stainless Steel Hardware

OPTIONAL FEATURES

- Painted and Anodized finishes
- Polycarbonate domes for daylighting
- Louvered Curbs • Curb Mounted Units
- Galvanized steel curb and Aluminum cover
- Curb pitch corrected for sloped roof

SPECIFICATIONS

COVER: Double-skin construction ("in box type design") with 1" Polyiso (R-6) insulation and a continuous EPDM foam weather/draft seal gasket that is attached to the inside of cover to provide a flush, tight fit. Designed to support a live load of 40lbs./sq. ft., the cover is 14 gauge galvanized steel with a 22 gauge galvanized steel inside liner.

CURB: 14 gauge galvanized steel with 1" thick Polyiso (R-6) insulation at curb exterior. Curb is 12" high, with 3.375" wide bottom flange and pre-drilled mounting holes.

HINGE: Heavy duty galvanized steel pintle hinges with 3/8" SS pin.

OPENING: Gas spring operators allow cover to open and close with ease. Stainless Steel Inside pull handle allows for easy control when closing cover

DOOR LATCH: Self latching, Stainless steel outside T handle with stainless steel inside lock and lever assembly. Unit also has inside and outside padlock provisions.

FINISH: Material is prepared with an iron phosphate wash, followed by a rust inhibiting primer, and then a baked on polyester enamel grey paint.

SKU: **BA-RHG-EQ-DL**

GALVANIZED EQUIPMENT ACCESS ROOF HATCH

DOUBLE LEAF



DIMENSIONS AND APPEARANCE

>> CLICK TO VIEW ADDITIONAL DETAILS AND PRICING <<

STANDARD SIZES:

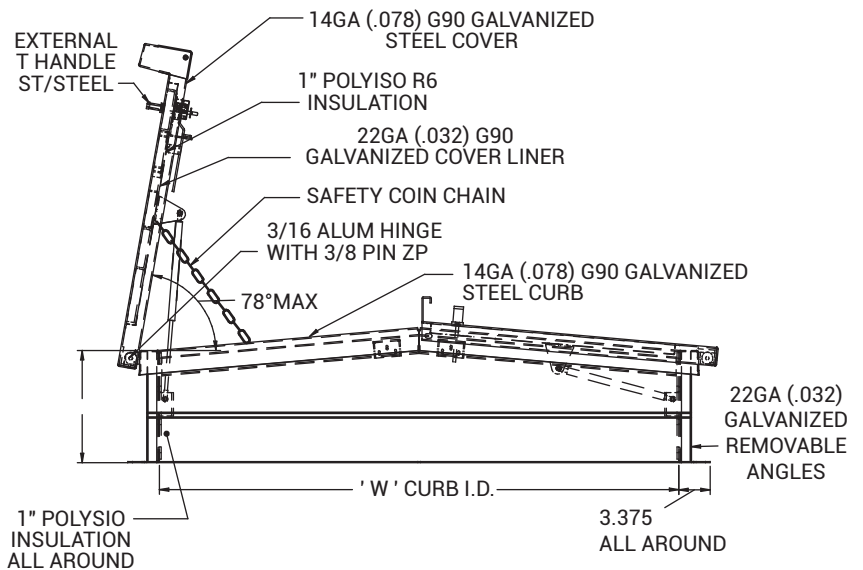
MODEL	CURB ID L&W INCHES (MM)	WEIGHT	
		LBS	KG
A6868	60 x 60 (1524 x 1524)	180	82

For detailed specifications see submittal sheet

MORE OPTIONAL FEATURES

- Higher curb heights for "green roof" applications.
- Available with Galvanized Steel Curb and Aluminum Cover
- Higher Live Load Support

MANUFACTURED BY ACUDOR



For a complete list of options visit www.BestAccessDoors.com

PROJECT DATA

Custom Sizes Available - Fast!

Scan or Click



PROJECT NAME :	QTY	W	H	OPTIONS
ARCHITECT :				
DEALER :				
CONTRACTOR :				
LOCATION :	SPECIAL INSTRUCTIONS :			
DATE :				
TAGGING INSTRUCTIONS :	SUBMITTAL APPROVAL : (signature or stamp)			

TELEPHONE:
1-800-483-0823
FAX:
1-888-828-6021



228 PARK AVE. S. #76520
NEW YORK, NY, 10003



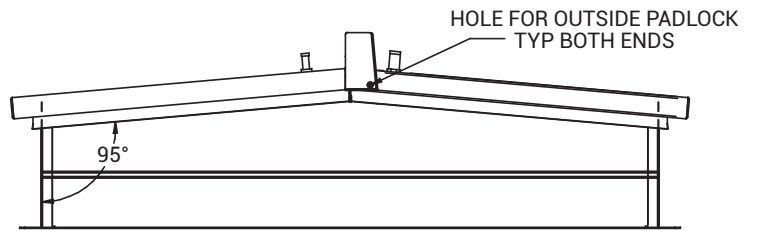
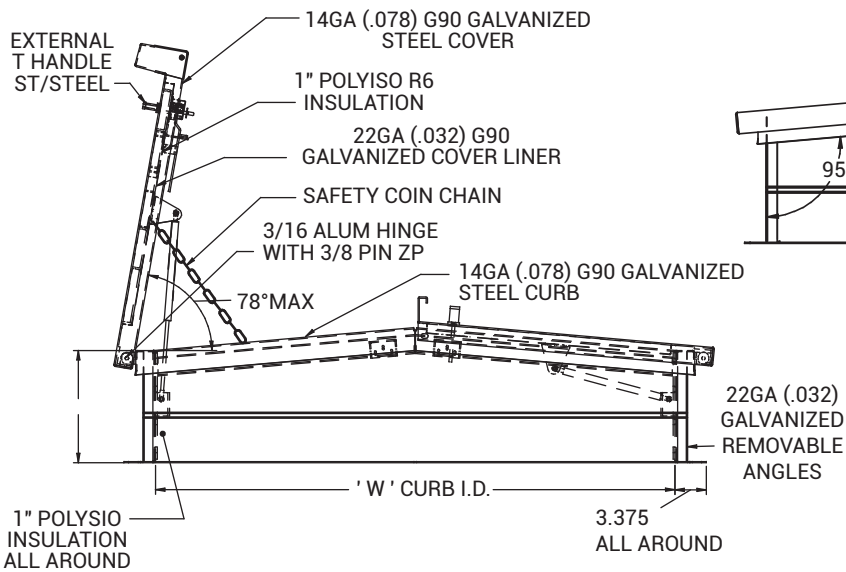
WEBSITE:
www.BestAccessDoors.com
E-MAIL:
info@bestaccessdoors.com

To view Pricing and Additional Product Info.

BA-RHG-EQ-DL

GALVANIZED DOUBLE LEAF EQUIPMENT ACCESS ROOF HATCH

QTY	OPENING WIDTH 'W'	OPENING LENGTH 'L'	QTY	OPENING WIDTH 'W'	OPENING LENGTH 'L'
	48" (1219mm)	48" (1219mm)			



ASSEMBLY NOTE:
Unit shall be completely assembled as shown and supplied to job ready for installation
FINISH: Mill

MANUFACTURED BY ACUDOR

