



Quality Access Doors- FAST!

# SUBMITTAL/TECHNICAL DATA SHEET

## STANDARD OPTIONS

### COVER:

14 gauge galvanized steel with 1" fiberglass insulation

### CURB:

14 gauge galvanized steel with 1" fiber board insulation

### SEAL:

"D" - foam adhesive gasket provides a flush and tight fit

### FINISH:

High quality white powder coat primer

### COMPONENTS:

- 2 gas cylinders
- Retaining bar handles

### LEED®:

Painted white, the TRH could contribute to meeting SS7.2 (Heat Island Effect) requirements for highly reflective roofing materials.

## OPTIONS AVAILABLE

### MATERIAL:

Aluminum

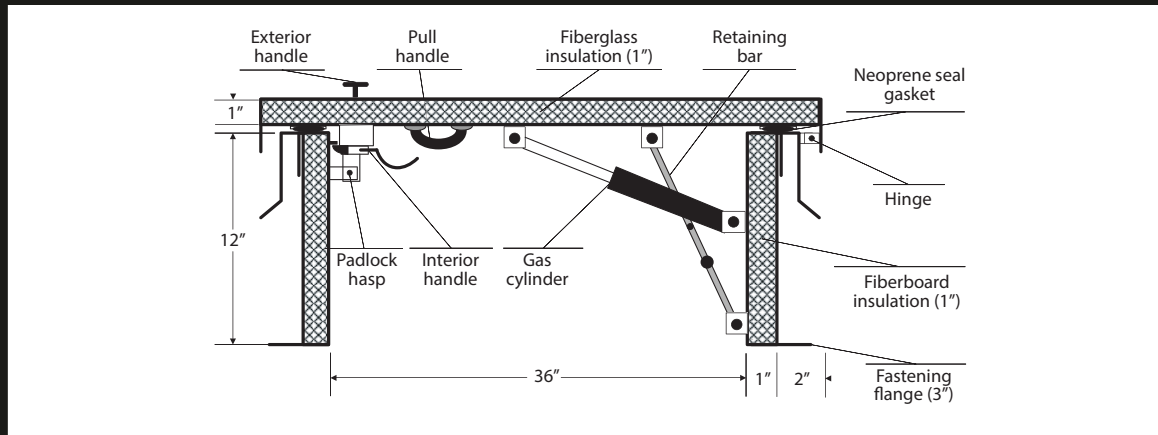


SKU: BA-RHT

## ROOF HATCH

### ■ INSTALLATION

>> [CLICK TO VIEW ADDITIONAL DETAILS AND PRICING <<](#)

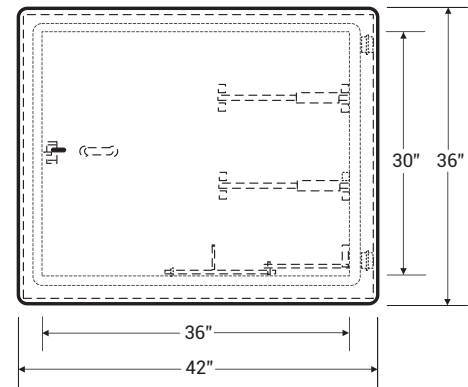


### ■ DIMENSIONS AND APPEARANCE

For a complete list of options visit [www.BestAccessDoors.com](http://www.BestAccessDoors.com)

DOOR SIZE W x H INCHES (MM)	EXTERIOR SIZE W x H INCHES (MM)	NUMBER OF LOCKS	WEIGHT LBS	KG
36 x 30 (914 x 762)	42 x 36 (1067 x 614)	1	178	81
36 x 36 (914 x 914)	42 x 42 (1067 x 1067)	1	188	85

ROOF OPENING = SIZE OF ROOF HATCH



Scan or Click



To view Pricing and Additional Product Info.

LEED READY: THIS PRODUCT CONTRIBUTES TO LEED® CREDITS

### ■ PROJECT DATA

Custom Sizes Available - Fast!

PROJECT NAME :	QTY	W	H	OPTIONS
ARCHITECT :				
DEALER :				
CONTRACTOR :				
LOCATION :	SPECIAL INSTRUCTIONS :			
DATE :				
TAGGING INSTRUCTIONS :	SUBMITTAL APPROVAL : (signature or stamp)			



TELEPHONE:  
1-800-483-0823  
FAX:  
1-888-828-6021



228 PARK AVE. S. #76520  
NEW YORK, NY, 10003



WEBSITE:  
[www.BestAccessDoors.com](http://www.BestAccessDoors.com)  
E-MAIL:  
[info@bestaccessdoors.com](mailto:info@bestaccessdoors.com)