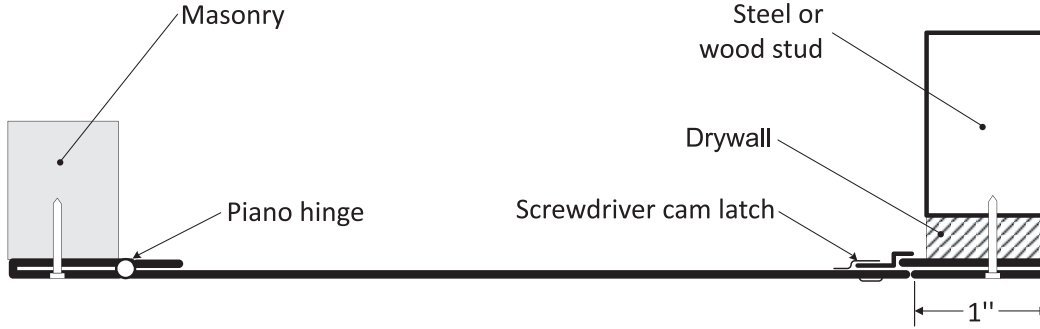




**SURFACE MOUNTED ACCESS DOOR**

**BA-SFM**

**INSTALLATION**

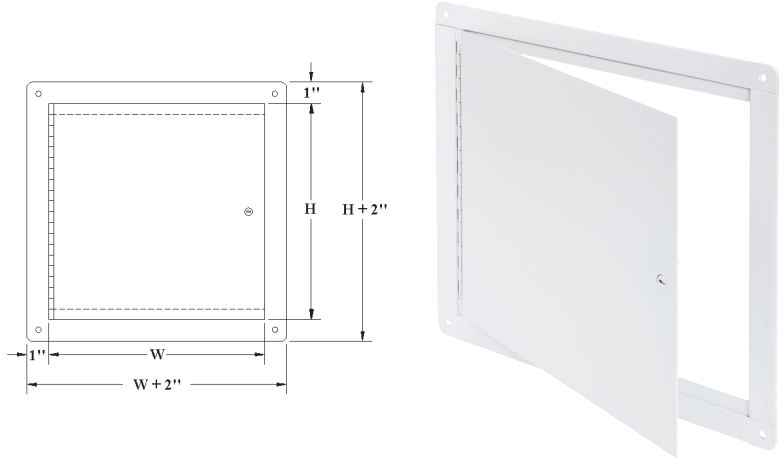


**DIMENSIONS AND APPEARANCE**

LEED ready: This product contributes to LEED® credits.

DOOR SIZE - W x H INCHES (MM)	CLEAR INSIDE OPENING INCHES (MM)	NUMBER OF LOCKS	WEIGHT LBS KG
8 x 8 (203 x 203)	7 3/4 x 7 (197 x 178)	1	3 1.4
12 x 12 (304 x 304)	11 3/4 x 11 (298 x 279)	1	5 2.3
16 x 16 (406 x 406)	15 3/4 x 15 (400 x 381)	1	8 3.6
*18 x 18 (457 x 457)	17 3/4 x 17 (451 x 432)	1	10 4.5
*24 x 24 (609 x 609)	23 3/4 x 23 (603 x 584)	1	15 6.8

**Your odd sizes:  
Made in 5 days**



**DESCRIPTION AND MATERIAL SPECIFICATION**

- Material:** 16 gauge cold rolled steel
- Hinge:** continuous piano hinge
- Lock / latch:** screwdriver operated cam latch
- Finish:** high quality white powder coat primer
- Packaging:** individually wrapped, 1 per box

**POPULAR OPTIONS** For complete list of options go to: [www.BestAccessDoors.com](http://www.BestAccessDoors.com)

**Material:** stainless steel 304 #4 (brushed finish)

**Click here to view the Products**



**PROJECT DATA**

PROJECT NAME:	QTY	W	H	OPTIONS
ARCHITECT:				
DEALER:				
CONTRACTOR:				
LOCATION:	SPECIAL INSTRUCTIONS:			
DATE:				
TAGGING INSTRUCTIONS:	SUBMITTAL APPROVAL: (signature or stamp)			

**ADDRESS:** 427 N Tatnail St, #76520 Wilmington, DE 19802-2230

**Tel.: 1-800-483-0823**  
**Fax: 1-888-828-6021**

[www.bestaccessdoors.com](http://www.bestaccessdoors.com)  
[sales@bestaccessdoors.com](mailto:sales@bestaccessdoors.com)