



Quality Access Doors- FAST!

SUBMITTAL/TECHNICAL DATA SHEET

DESCRIPTIONS

Provides a cost effective solution for access to underground vaults that do not require the use of a flush-mounted door. Features a concealed internal mounting flange that makes installation easy and secure. Simply position the door over the vault opening and bolt it into place. Ideal for applications where the infiltration of contaminants is a concern. Its gasketed, over-lapping cover design sheds water and prevents debris and other pollutants from entering the opening.

SPECIFICATIONS

MATERIAL: 1/8" (3mm) aluminum diamond plate cover and 1/4" (6mm) aluminum angle frame.

COVER: Diamond-pattern tread plate reinforced for 105 psf (5 kpa) live load.

FRAME: 1/4"x 3"x 3" (6.4mm x 76mm x 76mm) angle frame with internal mounting flange and 7/16" (11 mm) diameter anchor holes.

GASKET: Extruded EPDM rubber gasket permanently adhered to cover

HINGES: Heavy-duty, stainless steel pin tie hinges with 3/8" (9.5mm) type 316 stainless steel hinge pins.

LATCH: Type 316 stainless steel slam lock with fixed interior handle and removable exterior turn/lih handle. Latch release is protected by a flush, gasketed, removable screw plug. (For added security, specify: full welded exterior padlock hasp).

LIFT ASSISTANCE: Gas strut lifting mechanism. Automatic hold-open arm with grip handle release.

FINISH: Mill Finish aluminum.

HARDWARE: Gas strut has a powder coat finish. All other hardware is type 316 stainless steel unless otherwise specified.

SKU: **BA-SM**

SURFACE MOUNT ACCESS DOOR



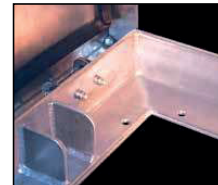
DIMENSIONS AND APPEARANCE

>> CLICK TO VIEW ADDITIONAL DETAILS AND PRICING <<

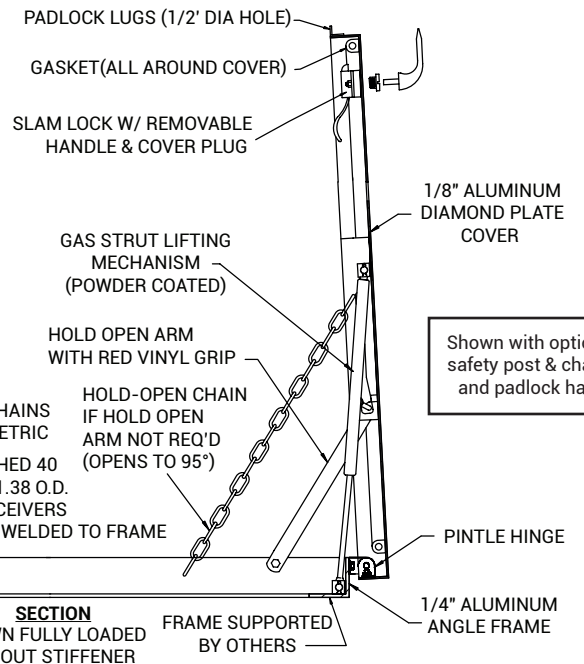
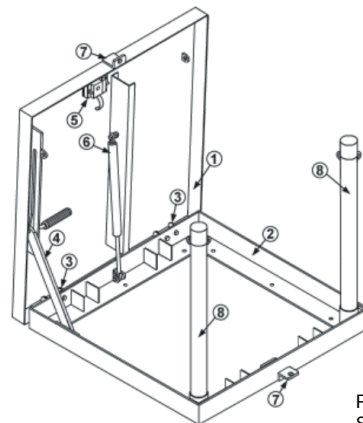
STANDARD SIZES AND WEIGHTS

SIZE		ALUMINUM		
Weight x Length		Model #	Weight	
inches	mm		lbs.	kg.
24 X 24	610 X 610	SM-1	61	28
30 X 30	762 X 762	SM-2	71	32
36 X 30	914 X 762	SM-3	78	35
36 X 36	914 X 914	SM-4	86	39
42 X 42	1067 X 1067	SM-5	99	45

Internal Surface Mounting Flange



Concealed Stainless Steel Hinges



PADLOCK HASPS 1/2" DIA HOLE (OPTIONAL)

3 [76mm]

3 [76mm]

For a complete list of options visit www.BestAccessDoors.com

PROJECT DATA

Custom Sizes Available - Fast!

PROJECT NAME :	QTY	W	H	OPTIONS
ARCHITECT :				
DEALER :				
CONTRACTOR :				
LOCATION :	SPECIAL INSTRUCTIONS :			
DATE :				
TAGGING INSTRUCTIONS :	SUBMITTAL APPROVAL : (signature or stamp)			

Scan or Click



BEST ACCESS DOORS

To view Pricing and Additional Product Info.

TELEPHONE:
1-800-483-0823

FAX:
1-888-828-6021



228 PARK AVE. S. #76520
NEW YORK, NY, 10003



WEBSITE:
www.BestAccessDoors.com

E-MAIL:
info@bestaccessdoors.com