



Quality Access Doors- FAST!

SUBMITTAL/TECHNICAL DATA SHEET

SPECIFICATIONS

MATERIAL:

- F: 1/4" Aluminum Tread Plate and extruded aluminum frame.
- T: 1/4" Aluminum Plate and extruded aluminum frame

FINISH: Mill Finish

COVER:

- F: Diamond patterned safety tread plate designed to support 150 psf live load.
- T: 1/4" Recessed smooth cover with extruded tile stop for floor tile to support 150 psf live load.

FRAME: F & T: 1/4" Extruded aluminum frame with strap-type anchors bolted onto frame.

GASKET: 1/16" Neoprene gasket adhered to frame.

LATCH: Snap Latch.

HANDLE: Inside handle and removable outside T handle.

LIFT ASSISTANCE: Torsion Bar.

HARDWARE: Zinc plated.

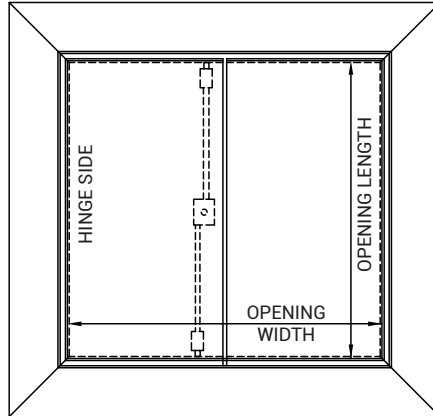
SKU: **BA-T-SEC-DL**

ALUMINUM CONSTRUCTION TILE SECURITY FLOOR DOOR



DIMENSIONS AND APPEARANCE

>> [CLICK TO VIEW ADDITIONAL DETAILS AND PRICING <<](#)

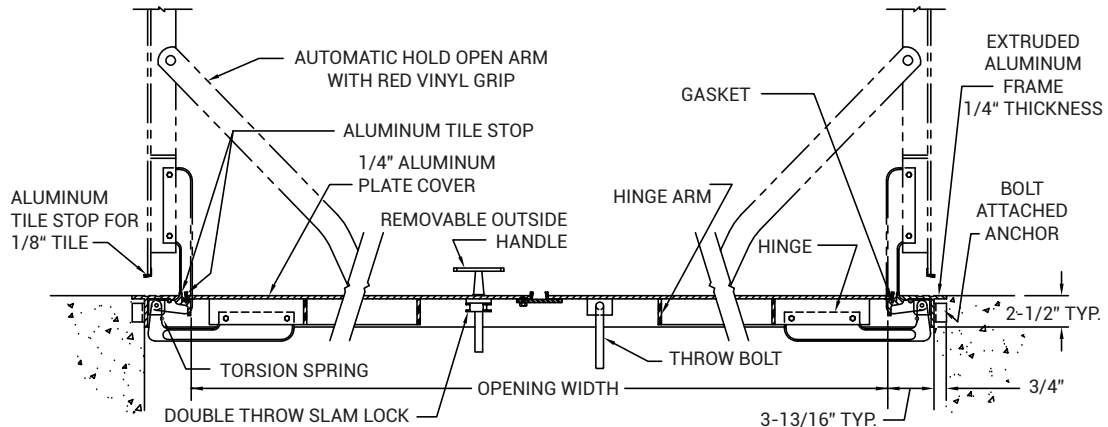


STANDARD SIZES:

ITEM NUMBER	MODEL NUMBER	INSIDE DIMENSION WIDTH x LENGTH
3515-114-9	F-4848	48" x 48"
3515-117-9	F-4872	48" x 72"
3515-120-9	F-6060	60" x 60"

* ALL ALUMINUM WELDED CONSTRUCTION

* SUPPORTS 150PSF UNIFORMLY DISTRIBUTED LOAD



For a complete list of options visit www.BestAccessDoors.com

PROJECT DATA

Custom Sizes Available - Fast!

Scan or Click



PROJECT NAME :	QTY	W	H	OPTIONS
ARCHITECT :				
DEALER :				
CONTRACTOR :				
LOCATION :	SPECIAL INSTRUCTIONS :			
DATE :	SUBMITTAL APPROVAL : (signature or stamp)			
TAGGING INSTRUCTIONS :				

TELEPHONE:
1-800-483-0823
FAX:
1-888-828-6021



228 PARK AVE. S. #76520
NEW YORK, NY, 10003



WEBSITE:
www.BestAccessDoors.com
E-MAIL:
info@bestaccessdoors.com

To view Pricing and Additional Product Info.