



Quality Access Doors- FAST!

SUBMITTAL/TECHNICAL DATA SHEET

APPLICATION

Provides quick, convenient and architecturally pleasing covers to plumbing clean-outs in wet areas.

FEATURES

- Corrosion resistant Stainless Steel ensures long life
- Architecturally pleasing appearance in satin brush finish
- Bevelled edges with rounded corners assures safe installation
- Flush counter-sunk mounting screws

SPECIFICATIONS

MATERIAL: 22 GA Stainless Steel 304 grade.

COVER: Square shaped, bevelled edges and rounded corners with counter-sunk holes on each corner for installation screws. 4pcs x Stainless Steel #10 x 1.250" Oval Head Square Tapping screws included.

FINISH: #4 Satin Brush.



SKU: **BA-UCSS**

UNIVERSAL ACCESS COVER

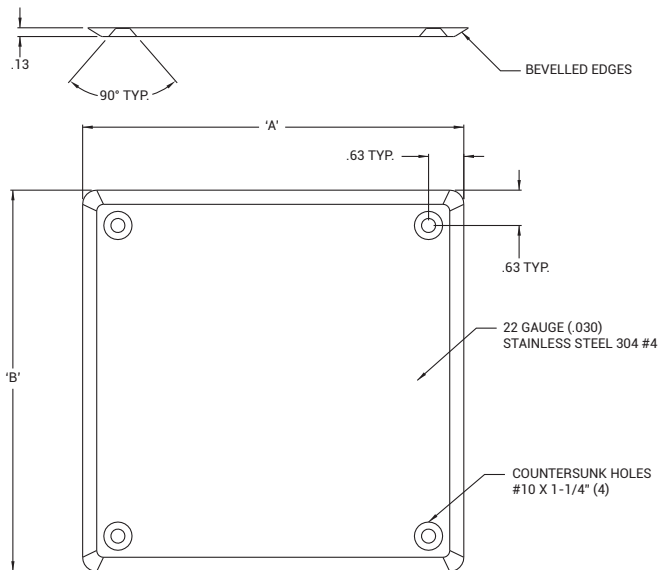
STAINLESS STEEL

■ DIMENSIONS AND APPEARANCE

>> [CLICK TO VIEW ADDITIONAL DETAILS AND PRICING <<](#)

STANDARD SIZES:

DOOR SIZE W x H		WALL OPENING		WEIGHT	
INCHES	(MM)	INCHES	(MM)	LBS	KG
6 x 6	(152 x 152)	4 x 4	(102 x 102)	0.30	0.14
8 x 8	(203 x 203)	6 x 6	(152 x 152)	0.55	0.25
10 x 10	(254 x 254)	8 x 8	(203 x 203)	0.80	0.39
12 x 12	(305 x 305)	10 x 10	(254 x 254)	1.25	0.57
14 x 14	(356 x 356)	12 x 12	(305 x 305)	1.75	0.79
16 x 16	(406 x 406)	14 x 14	(356 x 356)	2.25	1.02
18 x 18	(457 x 457)	16 x 16	(406 x 406)	2.85	1.29
24 x 24	(610 x 610)	22 x 22	(559 x 559)	5.05	2.29



For a complete list of options visit www.BestAccessDoors.com

■ PROJECT DATA

Custom Sizes Available - Fast!

Scan or Click



To view Pricing and Additional Product Info.

PROJECT NAME :	QTY	W	H	OPTIONS
ARCHITECT :				
DEALER :				
CONTRACTOR :				
LOCATION :	SPECIAL INSTRUCTIONS :			
DATE :	SUBMITTAL APPROVAL : (signature or stamp)			
TAGGING INSTRUCTIONS :				

TELEPHONE:
1-800-483-0823
FAX:
1-888-828-6021



228 PARK AVE. S. #76520
NEW YORK, NY, 10003



WEBSITE:
www.BestAccessDoors.com

E-MAIL:
info@bestaccessdoors.com

BA-UCSS

STAINLESS STEEL UNIVERSAL ACCESS COVER

NOMINAL SIZE	WALL OPENING SIZE	A	B	DUCT OPENING
6 x 6 (152mm x 152mm)	4 x 4 (102mm x 102mm)	6 (152mm)	6 (152mm)	4-1/2 X 4-1/2 (114 X 114)
8 x 8 (203mm x 203mm)	6 x 6 (152mm x 152mm)	8 (203mm)	8 (203mm)	6-1/2 X 6-1/2 (165 X 165)
10 x 10 (254mm x 254mm)	8 x 8 (203mm x 203mm)	10 (254mm)	10 (254mm)	8-1/2 X 8-1/2 (216 X 216)
12 x 12 (305mm x 305mm)	10 x 10 (254mm x 254mm)	12 (305mm)	12 (305mm)	10-1/2 X 10-1/2 (267 X 267)
14 x 14 (356mm x 356mm)	12 x 12 (305mm x 305mm)	14 (356mm)	14 (356mm)	10-1/2 X 16-1/2 (267 X 419)
16 x 16 (406mm x 406mm)	14 x 14 (356mm x 356mm)	16 (406mm)	16 (406mm)	12-1/2 X 12-1/2 (318 X 318)
18 x 18 (457mm x 457mm)	16 x 16 (406mm x 406mm)	18 (457mm)	18 (457mm)	14-1/2 X 14-1/2 (368 X 368)
24 x 24 (610mm x 610mm)	22 x 22 (559mm x 559mm)	24 (610mm)	24 (610mm)	16-1/2 X 16-1/2 (419 X 419)

