

BA-UF-5500

TECHNICAL DATA SHEET



UNIVERSAL FLUSH
STANDARD PANEL
WITH FLANGE

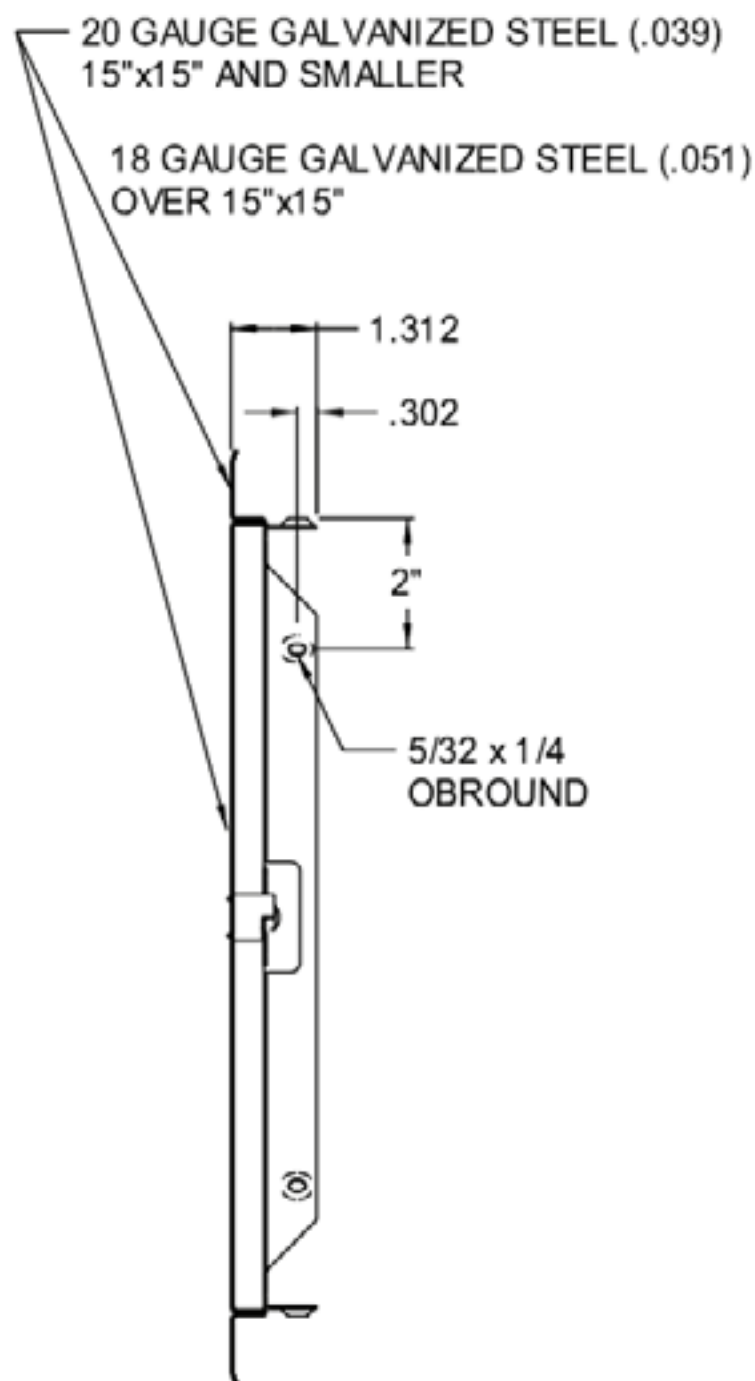
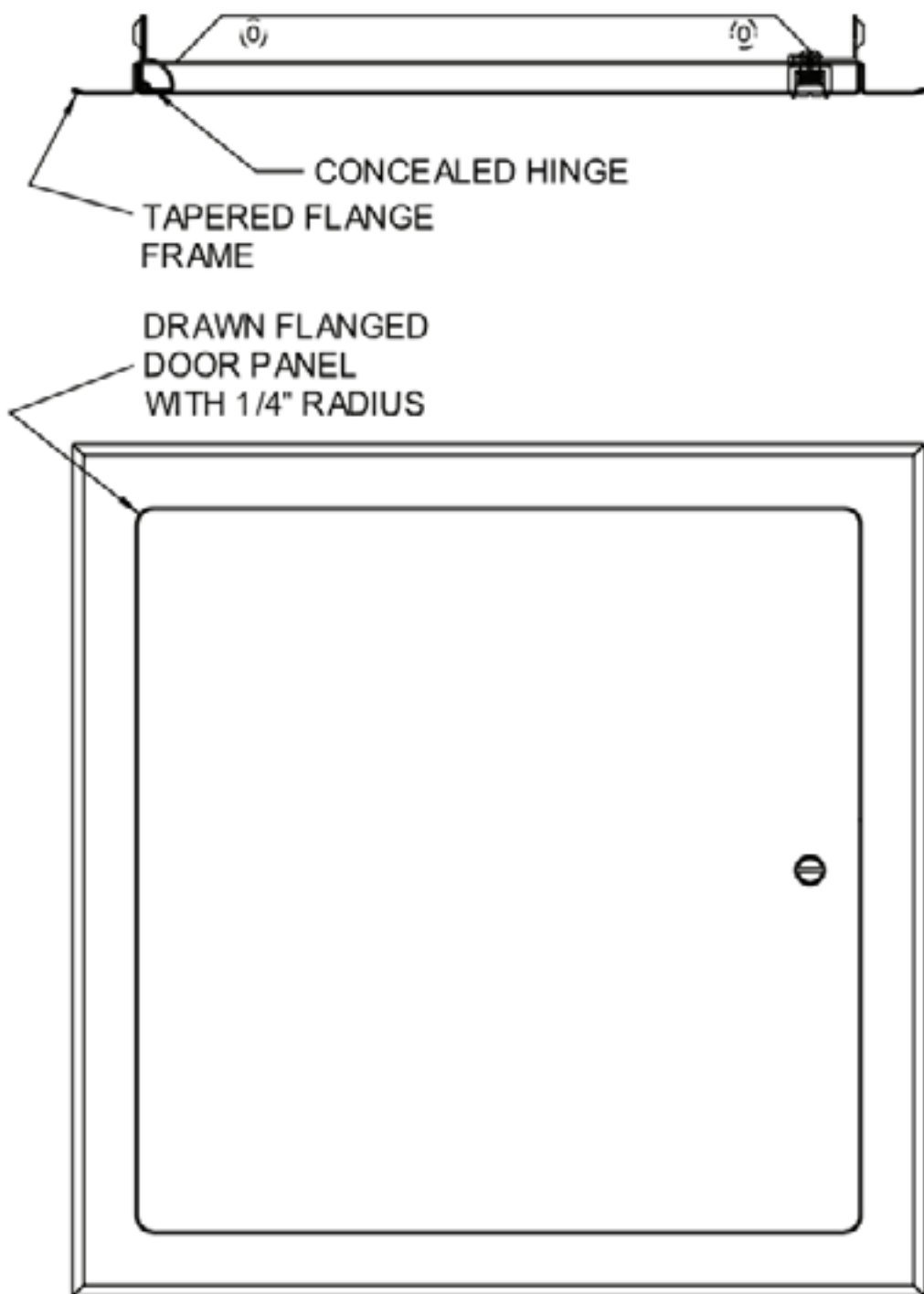
SKU: **BA-UF-5500**



[CLICK TO VIEW PRICING](#)

NOMINAL DOOR SIZE W X H		WEIGHT PER DOOR		
inches	mm	Latches	lbs.	kg.
6 X 6	152 X 152	1	1.5	.68
8 X 8	203 X 203	1	2.0	.91
12 X 12	305 X 305	1	2.5	1.14
15 X 15	381 X 381	1	5.5	2.5
18 X 18	457 X 457	1	7.5	3.41
24 X 24	610 X 610	2	12.0	5.45

Wall or ceiling opening is nominal door size + 3/8" (9 mm)
For detailed specifications see submittal sheet



WE ALSO DO
CUSTOM!

Scan to view pricing.



MANUFACTURED BY ACUDOR

TOLL FREE PHONE:
1-800-483-0823

www.BestAccessDoors.com