



Quality Access Doors- FAST!

SUBMITTAL/TECHNICAL DATA SHEET

SPECIFICATIONS

MATERIAL:

- UL-SEE: 16 gauge galvanized steel
- UL-SEEA: .090 aluminum

FINISH:

- Galvanized Steel: Mill Finish
- Aluminum: Mill Finish

COVER: Damage resistance, light admitting, 1/8" polycarbonate outer dome with 1/8" polycarbonate inner dome, surrounded by an extruded aluminum frame.

CURB: 13 1/2" in height with 3 1/2" pre-drilled mounting flanges and counterflashing with 1" thick exterior fiberboard insulation

GASKET: Polyurethane Foam Gasket adhered to the entire perimeter of curb

HINGES: Steel Pintle Hinge

SPRINGS: Torsion Coil Spring operators to open against a 10 psf snow or wind load

DAMPENERS: Hydraulic dampeners to control cover opening speed and prevent over travel

LATCHES: Latch designed to open automatically with parting of single 165 degree fusible link or manually with interior and exterior pull release handles without disturbing the fusible link. Designed to withstand 90 psf wind uplift for class 90 roof decks

HARDWARE: All hardware is zinc plated (stainless steel hardware optional)

OPERATION: Covers automatically spring open to approximately 90 degrees in the event of fire, being actuated by the parting of a single UL-listed 165 degree F fusible link, automatically locking in the fully opened position

CERTIFICATIONS:

- UL 793 Listed
- UL 790 Certified

SKU: BA-UL-SEEA

DOMED SKYLIGHT HEAT & SMOKE VENT

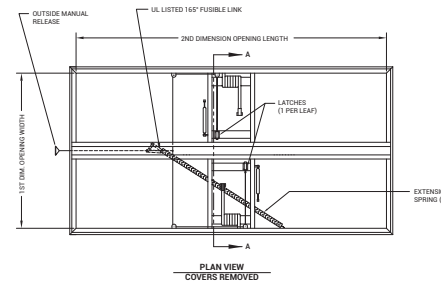


DIMENSIONS AND APPEARANCE

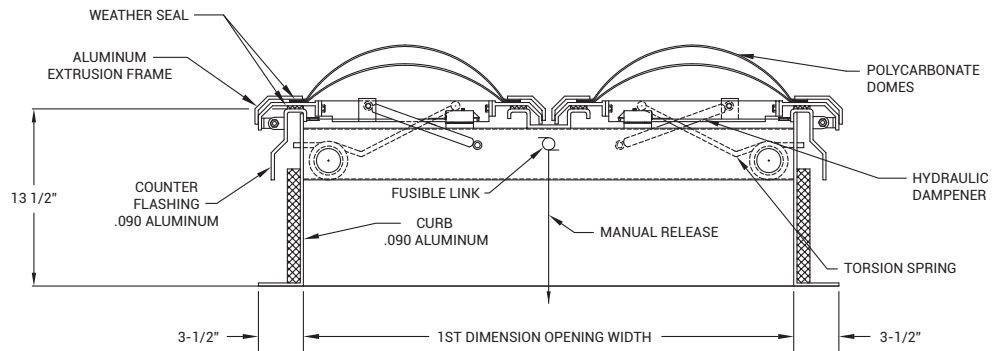
>> CLICK TO VIEW ADDITIONAL DETAILS AND PRICING <<

STANDARD SIZES AND PRODUCT NUMBER:

MODEL	SIZES WXH	LBS.	MODEL	SIZES WXH	LBS.
UL-SEE-4848	4'0" X 4'0"	248	UL-SEE-6084	5'0" X 7'0"	484
UL-SEE-4860	4'0" X 5'0"	297	UL-SEE-6096	5'0" X 8'0"	556
UL-SEE-4872	4'0" X 6'0"	347	UL-SEE-6648	5'6" X 4'0"	352
UL-SEE-4884	4'0" X 7'0"	391	UL-SEE-6660	5'6" X 5'0"	413
UL-SEE-4896	4'0" X 8'0"	446	UL-SEE-6672	5'6" X 6'0"	468
UL-SEE-5448	4'6" X 4'0"	275	UL-SEE-6684	5'6" X 7'0"	534
UL-SEE-5460	4'6" X 5'0"	336	UL-SEE-6696	5'6" X 8'0"	605
UL-SEE-5472	4'6" X 6'0"	374	UL-SEE-7248	6'0" X 4'0"	391
UL-SEE-5484	4'6" X 7'0"	457	UL-SEE-7260	6'0" X 5'0"	451
UL-SEE-5496	4'6" X 8'0"	512	UL-SEE-7272	6'0" X 6'0"	506
UL-SEE-6048	5'0" X 4'0"	314	UL-SEE-7284	6'0" X 7'0"	583
UL-SEE-6060	5'0" X 5'0"	374	UL-SEE-7296	6'0" X 8'0"	677
UL-SEE-6072	5'0" X 6'0"	424			



Check the Second Page for more Detailed Information



SECTION VIEW A-A

For a complete list of options visit www.BestAccessDoors.com

PROJECT DATA

Custom Sizes Available - Fast!

PROJECT NAME :	QTY	W	H	OPTIONS
ARCHITECT :				
DEALER :				
CONTRACTOR :				
LOCATION :	SPECIAL INSTRUCTIONS :			
DATE :	SUBMITTAL APPROVAL : (signature or stamp)			
TAGGING INSTRUCTIONS :				

Scan or Click



To view Pricing and Additional Product Info.

TELEPHONE:
1-800-483-0823
FAX:
1-888-828-6021



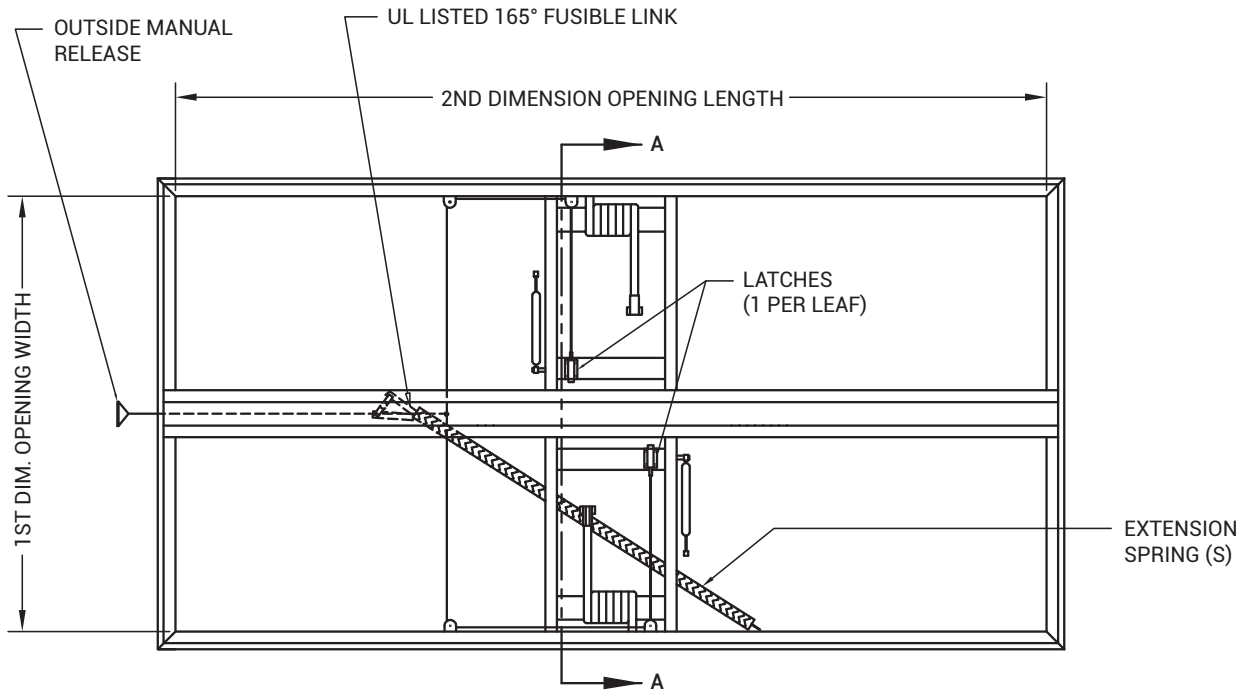
228 PARK AVE. S. #76520
NEW YORK, NY, 10003



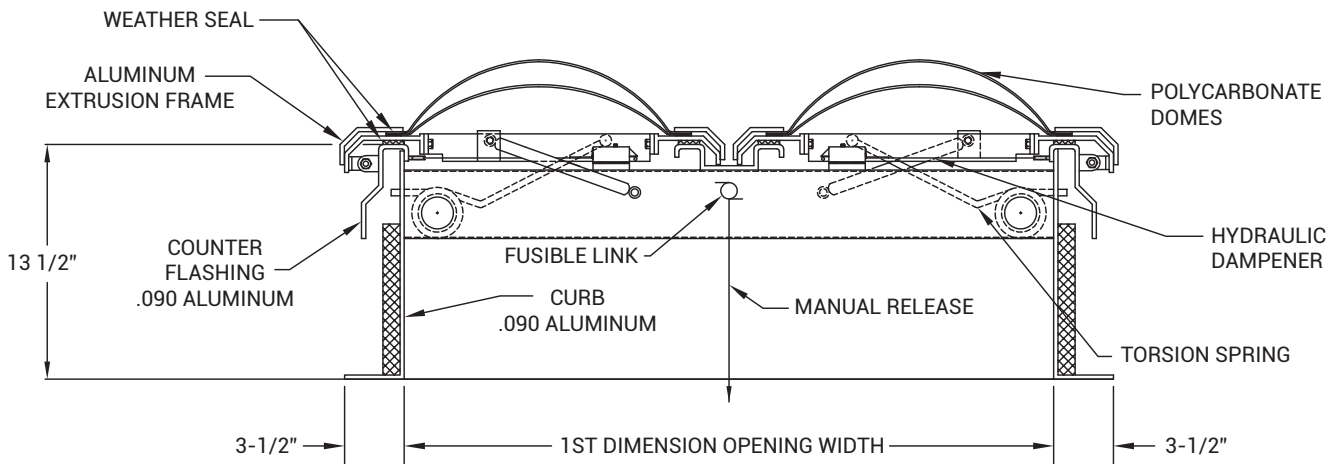
WEBSITE:
www.BestAccessDoors.com
E-MAIL:
info@bestaccessdoors.com

BA-UL-SEEA

**DOMED SKYLIGHT
HEAT AND SMOKE VENT**



**PLAN VIEW
COVERS REMOVED**



SECTION VIEW A-A

NOTES:

- LISTED BY UNDERWRITERS LABORATORIES (UL 793)
- RATED TO OPEN AGAINST 10 PSF SNOW/WIND LOAD
- RATED TO REMAIN CLOSED AGAINST 30 PSF UPLIFT LOAD
- 25 FT OF CABLING PROVIDED FOR INTERIOR RELEASE