



Quality Access Doors - FAST!

SUBMITTAL/TECHNICAL DATA SHEET

SPECIFICATIONS

MATERIAL:
 • UL-SKY: 16 gauge galvanized steel
 • UL-SKYA: .090 aluminum

FINISH:
 • Galvanized Steel: Mill Finish
 • Aluminum: Mill Finish

COVER: Damage resistance, light admitting, polycarbonate panels surrounded by an extruded aluminum frame.

CURB: 13 1/2" in height with 3 1/2" pre-drilled mounting flanges and counterflashing with 1" thick exterior fiberboard insulation

GASKET: Polyurethane Foam Gasket adhered to the entire perimeter of curb

HINGES: Steel Pintle Hinge

SPRINGS: Torsion Coil Springs

DAMPENERS: Hydraulic dampeners to control cover opening speed and prevent over travel

LATCHES: Latch designed to open automatically with parting of single 165 degree fusible link or manually with interior and exterior pull release handles without disturbing the fusible link.

HARDWARE: All hardware is zinc plated (stainless steel hardware optional)

OPERATION: Covers automatically spring open to approximately 90 degrees in the event of fire, being actuated by the parting of a single UL-listed 165 degree F fusible link, automatically locking in the fully opened position.

SKU: **BA-UL-SKY**

FLAT PANEL SMOKE VENT

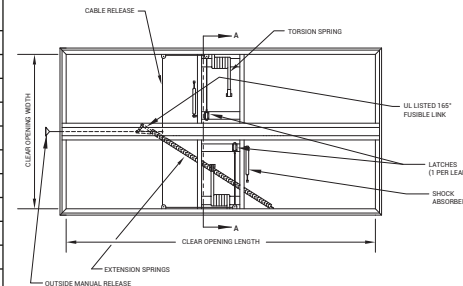


■ DIMENSIONS AND APPEARANCE

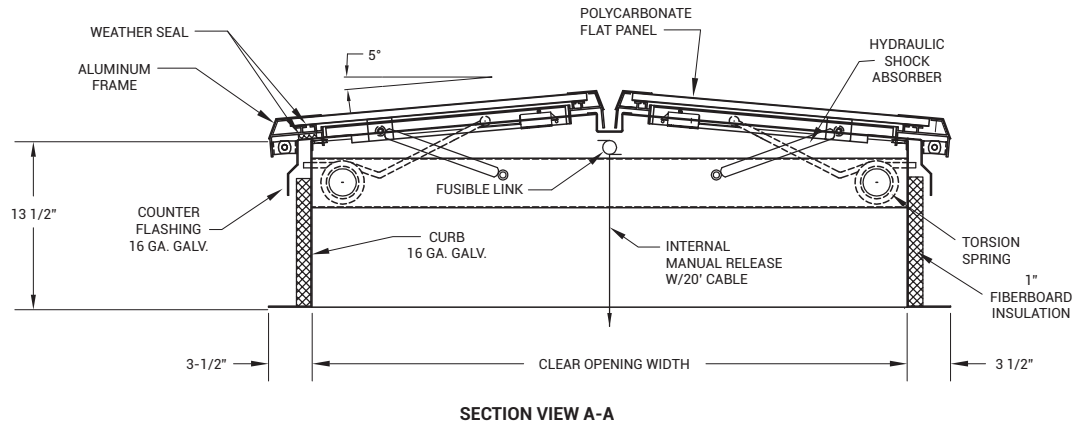
>> [CLICK TO VIEW ADDITIONAL DETAILS AND PRICING <<](#)

STANDARD SIZES AND PRODUCT NUMBER:

MODEL	SIZES WXH	LBS.	MODEL	SIZES WXH	LBS.
UL-SKY-4848	4'0" X 4'0"	284	UL-SKY-6084	5'0" X 7'0"	496
UL-SKY-4860	4'0" X 5'0"	337	UL-SKY-6096	5'0" X 8'0"	549
UL-SKY-4872	4'0" X 6'0"	390	UL-SKY-6648	5'6" X 4'0"	364
UL-SKY-4884	4'0" X 7'0"	443	UL-SKY-6660	5'6" X 5'0"	417
UL-SKY-4896	4'0" X 8'0"	496	UL-SKY-6672	5'6" X 6'0"	470
UL-SKY-5448	4'6" X 4'0"	311	UL-SKY-6684	5'6" X 7'0"	523
UL-SKY-5460	4'6" X 5'0"	364	UL-SKY-6696	5'6" X 8'0"	576
UL-SKY-5472	4'6" X 6'0"	417	UL-SKY-7248	6'0" X 4'0"	390
UL-SKY-5484	4'6" X 7'0"	470	UL-SKY-7260	6'0" X 5'0"	443
UL-SKY-5496	4'6" X 8'0"	523	UL-SKY-7272	6'0" X 6'0"	496
UL-SKY-6048	5'0" X 4'0"	337	UL-SKY-7284	6'0" X 7'0"	549
UL-SKY-6060	5'0" X 5'0"	390	UL-SKY-7296	6'0" X 8'0"	602
UL-SKY-6072	5'0" X 6'0"	443			



Check the Second Page for more Detailed Information



For a complete list of options visit www.BestAccessDoors.com

■ PROJECT DATA

Custom Sizes Available - Fast!

PROJECT NAME :	QTY	W	H	OPTIONS
ARCHITECT :				
DEALER :				
CONTRACTOR :				
LOCATION :	SPECIAL INSTRUCTIONS :			
DATE :	SUBMITTAL APPROVAL : (signature or stamp)			
TAGGING INSTRUCTIONS :				

Scan or Click



To view Pricing and Additional Product Info.

TELEPHONE:
1-800-483-0823
FAX:
1-888-828-6021



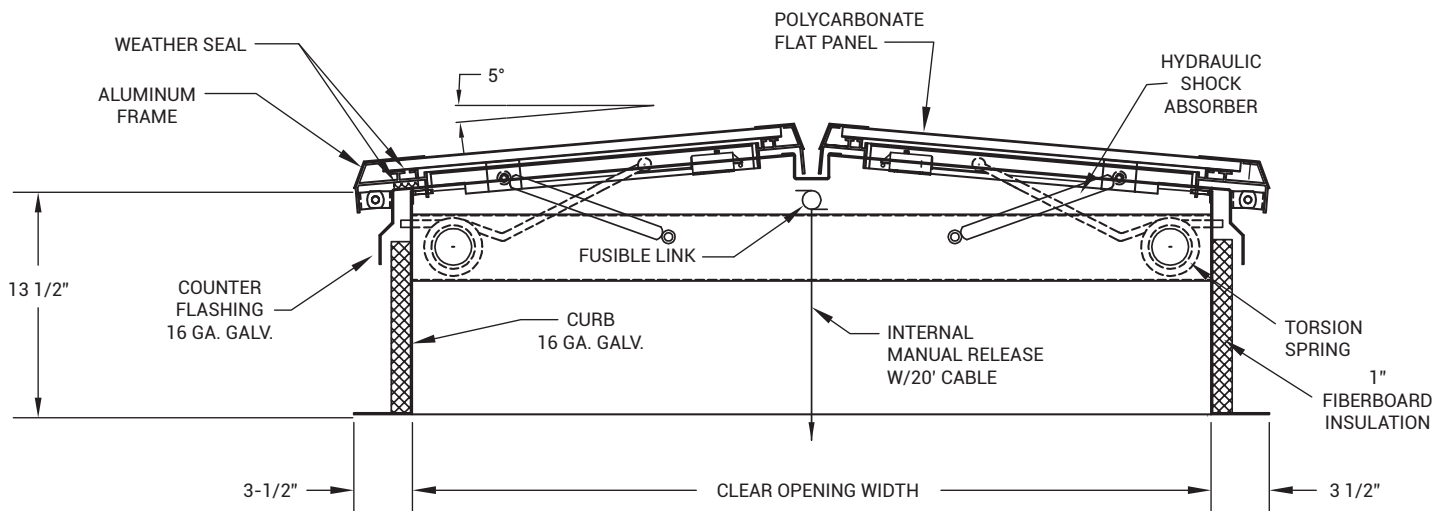
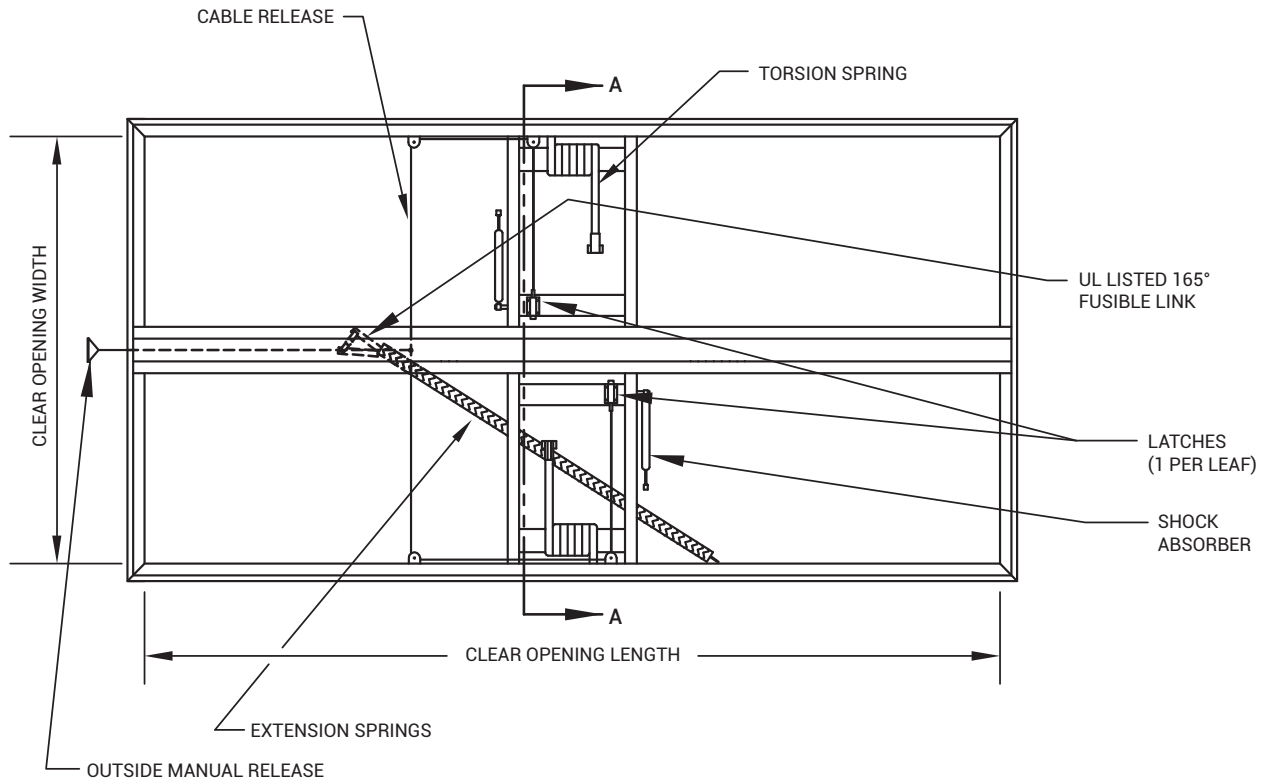
228 PARK AVE. S. #76520
NEW YORK, NY, 10003



WEBSITE:
www.BestAccessDoors.com
E-MAIL:
info@bestaccessdoors.com

BA-UL-SKY

**FLAT PANEL SKYLIGHT
SMOKE VENT**



SECTION VIEW A-A