

SKU: BA-F3

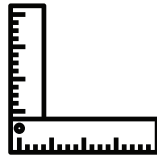
**INSTALLATION INSTRUCTIONS:**

Aluminum frame, with drywall inlay, for drywall partitions. For walls only

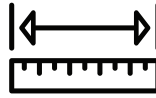
TOOLS REQUIRED:



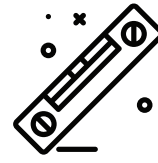
Screwdriver



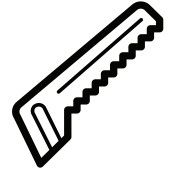
Set square



Tape measure



Level



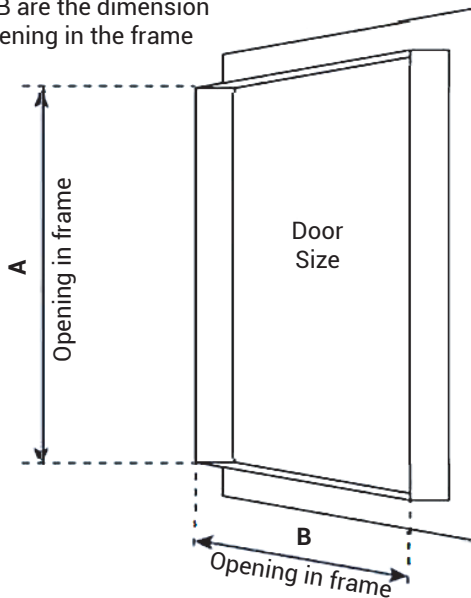
Drywall saw/Utility knife

**MEASURING AND CUTTING THE ROUGH OPENING**

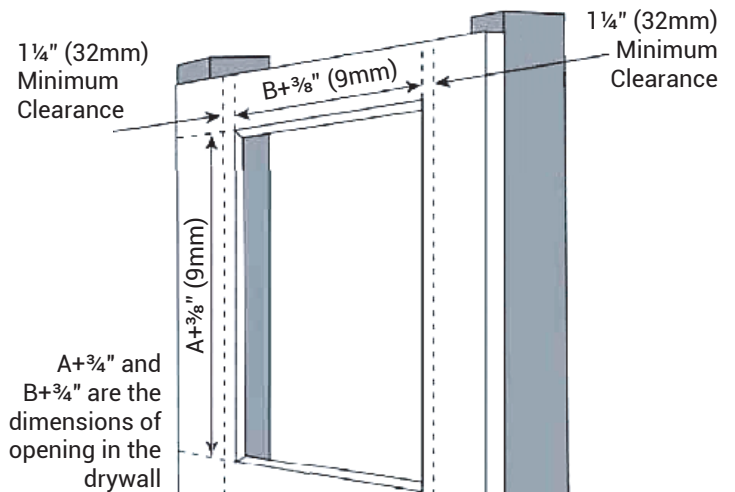
01. Determine the location for the Access Panel and note the position of studs or joists
02. Measure the inside dimensions of the frame (not the door). Add 3/4" (9 mm) to each dimension.
03. Mark a pair of base lines 90° to each other on the ceiling or wall where the hole will be. These must be a minimum of 1 1/4" (32 mm) and a maximum of 4" (102 mm) away from a stud or joist. Mark the opposite sides using the dimensions in Step 2. Accurate marking is very important and make sure that the lines are square.
04. Cut the opening with a knife, saw or drywall cutter. Make sure the edges are clean.

**FRAME (SHOWN WITH HATCH OPEN)**

A and B are the dimension of opening in the frame

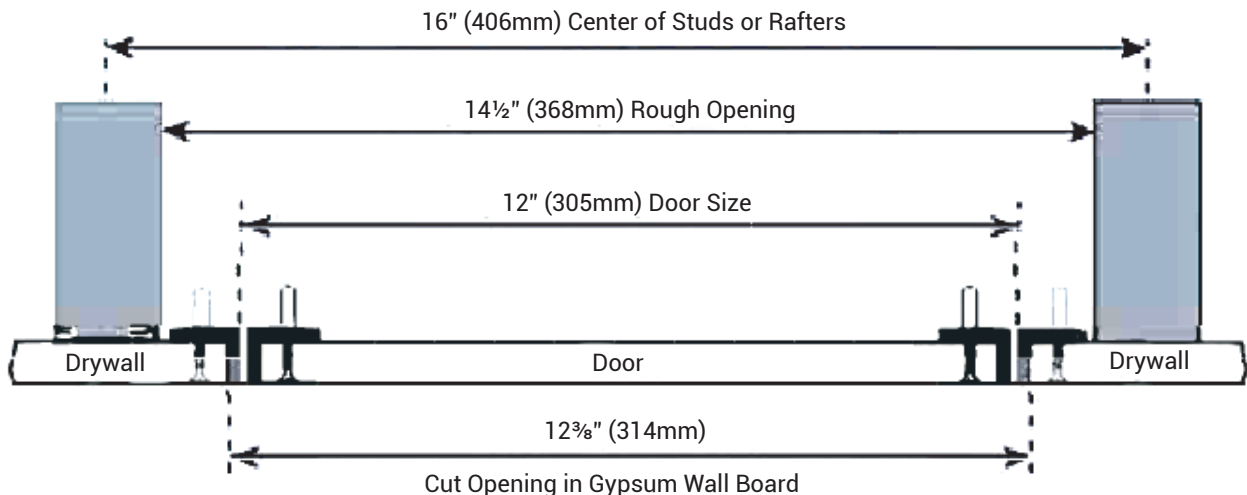


**OPENING IN GYPSUM WALL BOARD**



**STANDARD WALLS-STUD OR JOISTS AT 16" (406 mm) CENTER**

The illustration below shows the maximum size of the frame that fits between joists or studs on standard center.

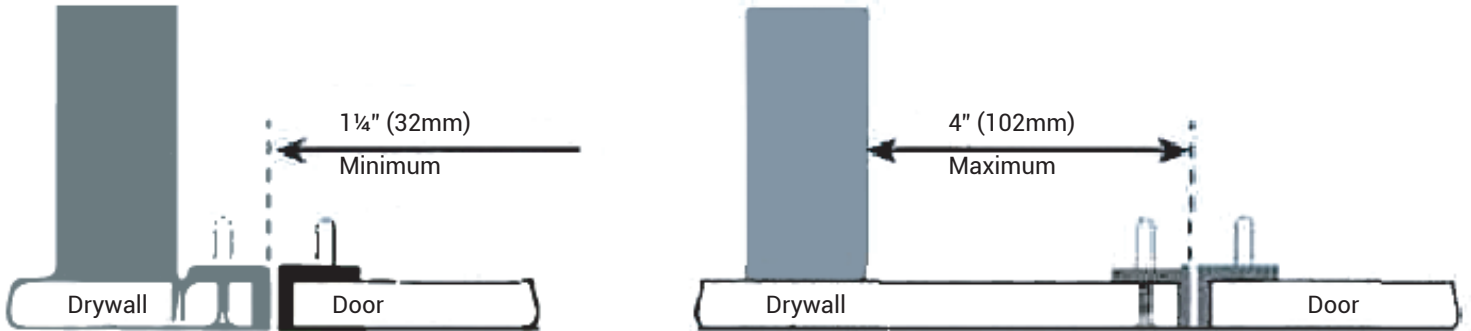


**SKU: BA-F3**

**INSTALLATION INSTRUCTIONS:**

Aluminum frame, with drywall inlay, for drywall partitions. For walls only

**MAXIMUM & MINIMUM CLEARANCE TO STUDS FROM CUT OPENING**

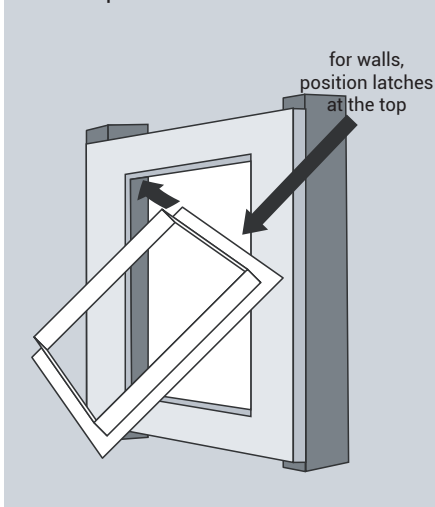


**Please Note:** The door hatch should be removed from the Access Panel and the frame fitted on its own. For larger Access Panels, it is recommended that the door is put in place before applying tile to check that the frame is square and will open and close properly after installation.

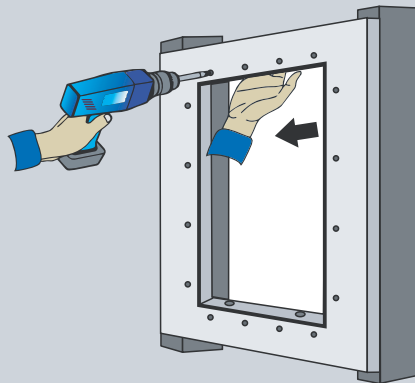
**Important:** When the Access Panel is being fitted into a wall, position the unit with the latches at the .

**Drywall insert with screws on sizes larger than 24" x 24" (610 mm x 610 mm).**

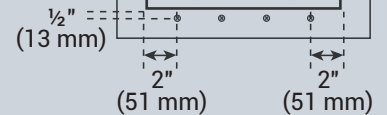
- 1 Pass the Access Panel through the opening and pull firmly back into position.



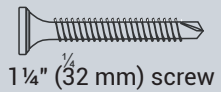
- 2 Screw through the drywall into the frame of the Access Panel. The maximum distance between screws is 4" (102 mm).



Minimum one screw per 4"



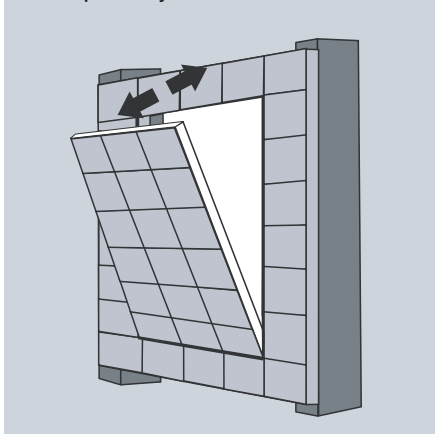
Recommended screw



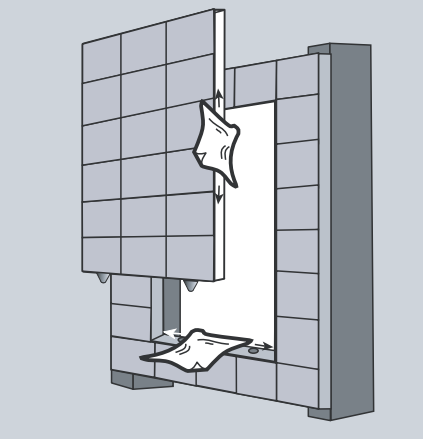
Safety cap



- 3 Test the door opens correctly. Apply drywall compound separately to the hatch and wall.



- 4 Clean the frame and the door with a damp cloth.



- 5 Install safety cable.

