

SKU: BA-RAL-58

RECESSED ACCESS DOOR INSTALLATION INSTRUCTIONS

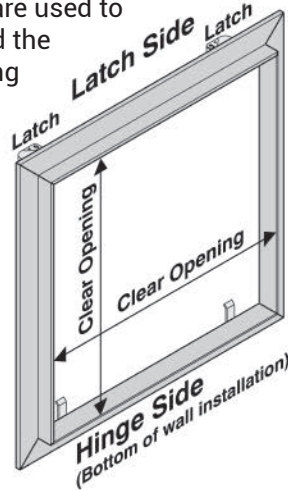
INTRODUCTION AND KEY CONCEPTS

ACCESS PANEL OUTER FRAME

The dimensions of the Clear Opening in the frame are used to determine the Cut Opening (opening in drywall) and the minimum Rough Frame Opening (spacing of framing members).

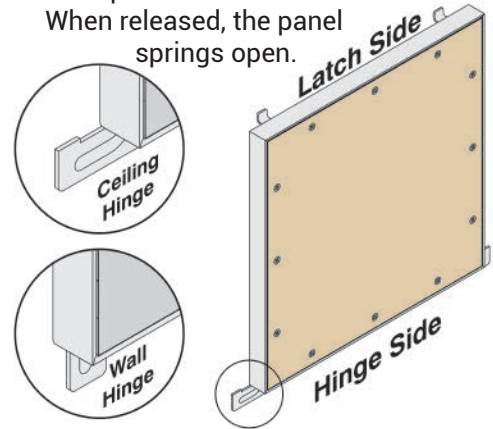
The number group following the first 4 digits in the model number is the clear opening dimensions.
Ex: access panel with the Model Number 20-58-1212 has a 12" x 12" clear opening.

The outer frame mounts to the back of the drywall and is attached with self-drilling drywall screws through the face of the drywall.



ACCESS PANEL DOOR LEAF

The door leaf is opened by pressing on the panel on the latch side. When released, the panel springs open.



For trouble-free installation and operation, please observe the following:

- The access panel outer frame must be screwed to the drywall every 4" or less with more precise attachment at the corners and through the base of all latch brackets.
- The outer frame must be attached to the drywall square and straight. Frame is flexible; attach straight.
- The wall or ceiling must be rigid. Blocking and/or rigid hangers must ensure no flexibility or movement in drywall.
- The drywall surrounding the outer frame should be flat. If screw heads protrude above the face of the framing, it is recommended that drywall shims are used to make a flat surface.

INSTALLATION METHODS

STANDARD INSTALLATION

The framing members must be positioned correctly around the opening in the drywall for the access panel. Drywall is attached to the studs as usual but overlaps to create a lip to accept the access panel outer frame. The cut opening required for the access panel is cut and the frame angled through the opening and attached according to the information on the next page. Alternative methods for locating outer frame are outlined on next page.

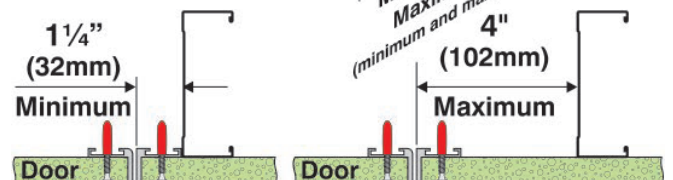
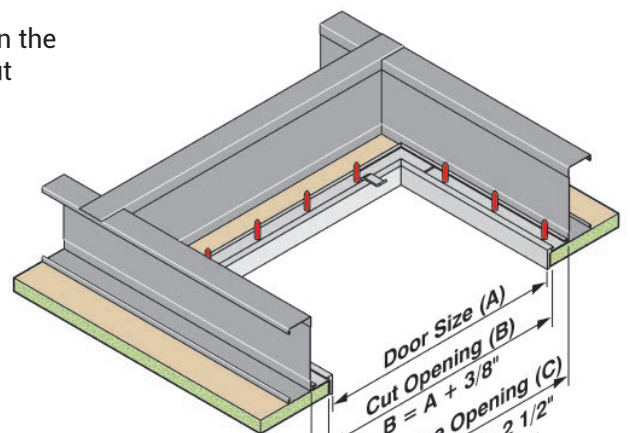
Size of the Cut Opening (B)

Door Size (A) number group following first 4 digits in the model number. The Cut Opening (B) is the Door Size (A) + 3/8" (drywall opening size).

Size of the Minimum Rough Framed Opening (C)

The minimum distance from the framing to a stud is 1 1/4". The maximum is 4"

Ex: For a Model Number 20-58-1212 with a 12" x 12" clear opening, the minimum spacing of the framing is 14 1/2" with 1 1/4" on either side of the opening. The maximum spacing is 20" with 4" maximum on either side of the opening. The distance to the studs does not have to be the same as long as the framing is within the maximum and minimum dimensions.



SKU: BA-RAL-58

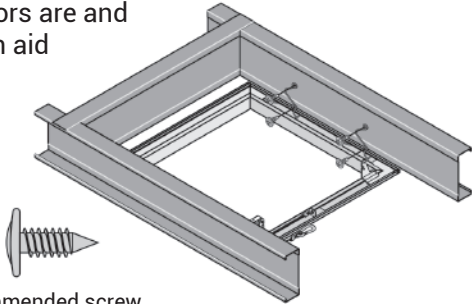
RECESSED ACCESS DOOR INSTALLATION INSTRUCTIONS

ALTERNATIVE INSTALLATION METHODS

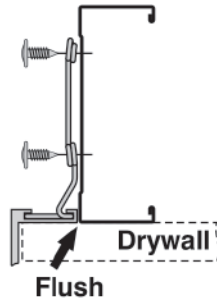
STUD ANCHORS (Included with large panels, otherwise upon request)

The panel outer frame can be hung in the rough framed opening before the drywall is in place by using the Stud Anchors. Stud Anchors clip into the outer frame and are screwed or tied to the framework. After drywall is fitted around the frame, the frame must be attached as shown in the next section.

Stud anchors are and installation aid only.



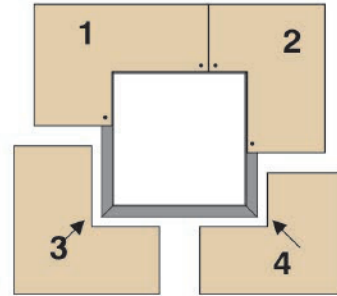
Recommended screw



DURING DRYWALL INSTALLATION

The access panel outer frame can be located resting on the back of the drywall as the drywall is being installed. If possible, avoid putting joints at the corners.

The frame must be attached as show in the next section.

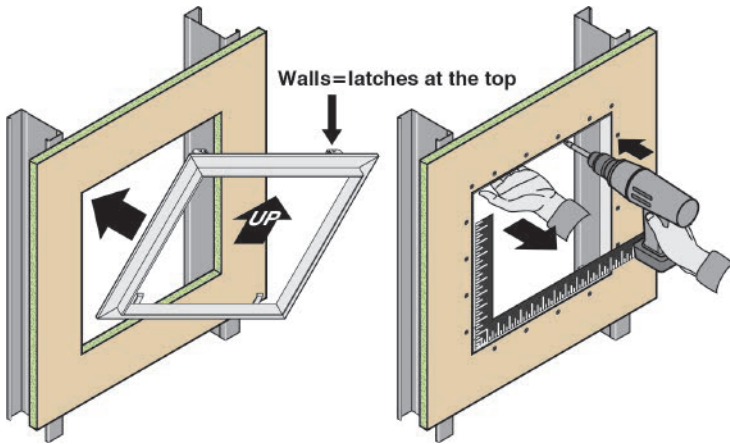


OUTER FRAME INSTALLATION AND PANEL FINISHING

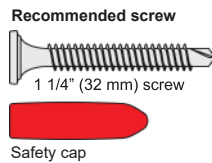
Pass the frame through the opening into position (or locate with alternative method) so outer frame rests on back of drywall. Ensure the frame is straight and square. Screw through the drywall into the frame of the access panel. **Correct fastener spacing must be followed.**

Important Fastener Placement

At the latch side only, a screw should be fitted in line with the edge of the frame. It will go through the steel corner brackets. If multiple latches, place

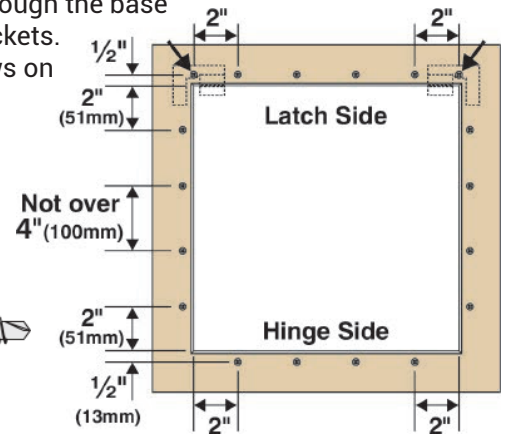


fasteners through the base of all latch brackets. Use extra screws on latch side.

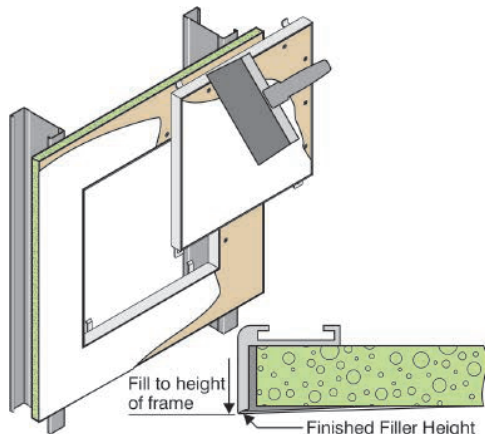


Recommended screw
1 1/4" (32 mm) screw

Safety cap



Insert door leaf and test function. Remove. Apply filler into any gaps around the outer frame, filling to the level of the raised edge. Apply filler to the door leaf. Sand and fill until desired finish is achieved. Finished height must not be higher than edge of outer frame and door leaf frame. Setting-type compound is recommended for the first coat. Clean excess filler and dust from frame with a damp cloth.



Prime and paint together or separately. Attach the safety cable when complete.

