



Quality Access Doors- FAST!

SUBMITTAL/TECHNICAL DATA SHEET

STANDARD OPTIONS

- MATERIAL:** Cold-rolled steel, 20-gauge door, and 16-gauge frame
- HINGE:** Pin and spring pin hinge, located on the second dimension (height)
- LOCK / LATCH:** Screwdriver operated cam latch
- FINISH:** High quality white powder coat primer
- PACKAGING:** Individually wrapped, 1 door per box
- FLANGE:** 22-gauge galvanized steel, 1 1/8" drywall bead flange
- FRAME:** 2" in depth, made of cold rolled steel

OPTIONS AVAILABLE

- LOCK / LATCH:**
- Key-operated cylinder cam latch
 - Mortise cam latch preparation (cylinder optional)
 - mortise deadbolt lock (cylinder optional)
- HANDLE:**
- 4" handle-operated cam latch
 - 4" handle and key operated cam latch
- OTHER:**
- Double leaf

For a complete list of options visit www.BestAccessDoors.com

LEED READY: THIS PRODUCT CONTRIBUTES TO LEED® CREDITS

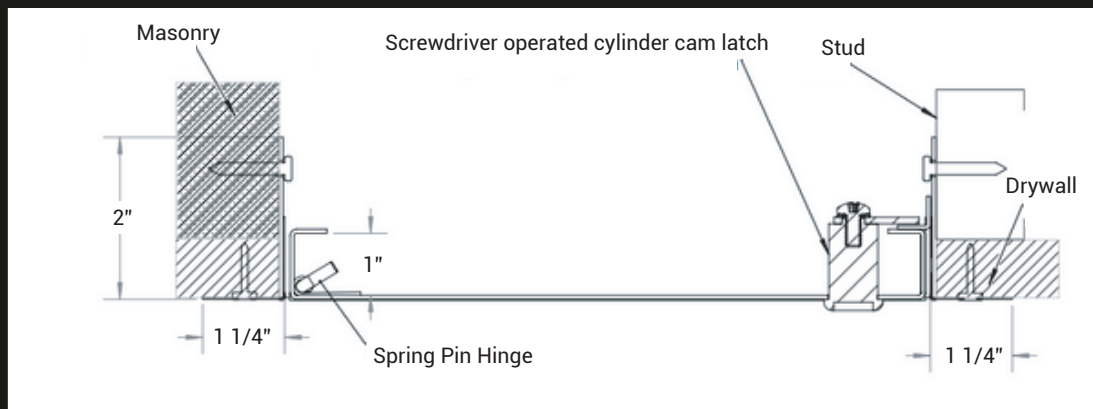


SKU: **BA-AHRLO-DF**

REMOVABLE AIR HANDLER ACCESS DOOR

WITH LARGE OPENING & DRYWALL FLANGE

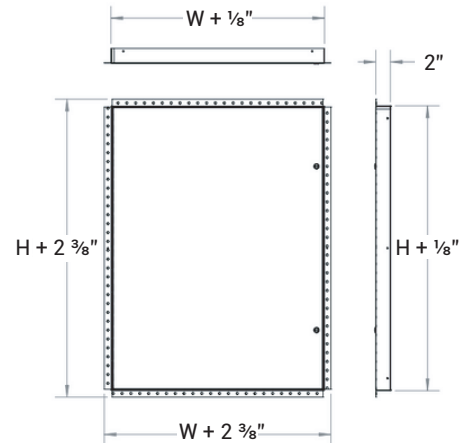
■ INSTALLATION



■ DIMENSIONS AND APPEARANCE

DOOR SIZE W x H INCHES (MM)	NUMBER OF LOCKS	WEIGHT	
		LBS	KG
30 x 66 (762 x 1676)	2	35.0	15.8
30 x 72 (762 x 1828)	2	37.8	17.1
36 x 72 (914 x 1828)	2	43.1	19.5
48 x 48 (1219 x 1219)	2	37.9	17.1

Rough wall opening door size + 1/4" or + 6mm



■ PROJECT DATA

Custom Sizes Available - Fast!

PROJECT NAME :	QTY	W	H	OPTIONS
ARCHITECT :				
DEALER :				
CONTRACTOR :				
LOCATION :	SPECIAL INSTRUCTIONS :			
DATE :				
TAGGING INSTRUCTIONS :	SUBMITTAL APPROVAL : (signature or stamp)			

TELEPHONE:
1-800-483-0823

FAX:
1-888-828-6021



228 PARK AVE. S. #76520
NEW YORK, NY, 10003



WEBSITE:
www.BestAccessDoors.com

E-MAIL:
info@bestaccessdoors.com