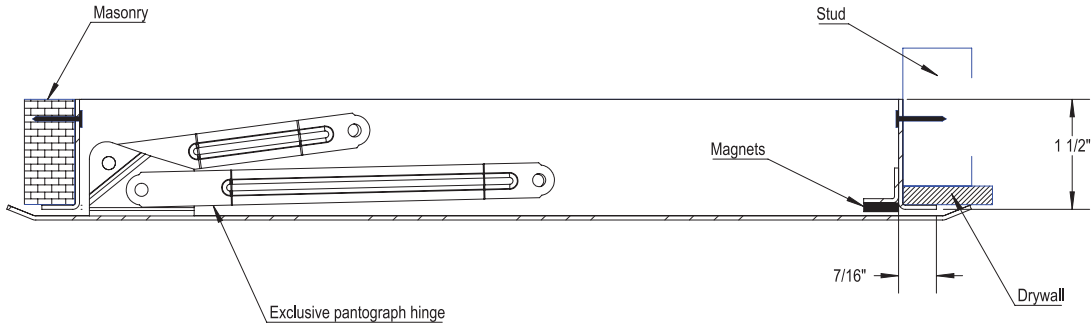




ACCESS DOOR WITH HIDDEN FLANGE & LATCH
FOR ALL SURFACE TYPES

CONTOUR
BA-CTR-MAG

Installation



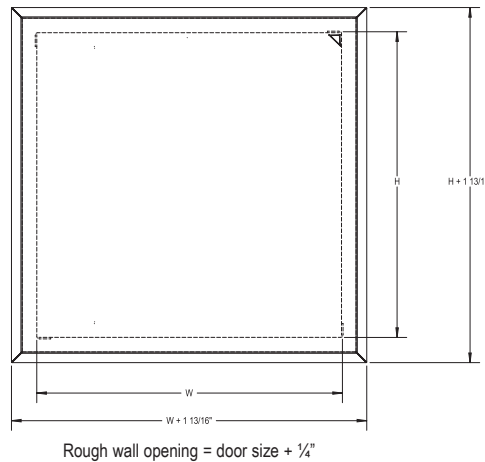
Dimension and appearance

Lead ready: This product contributes to LEED® credits.

Your odd sizes:
Made in 5 days

door size - w x H	weiGHT	
	LBs	KG
8 1/4" X 8 1/4" (210 x 210)	3	1.4
8 1/4" X 12" (210 x 304)	4	1.8
10" X 10" (254 x 254)	4	1.8
12" X 12" (304 x 304)	6	2.7
12" X 18" (304 x 457)	7	3.2
14" X 14" (355 x 355)	8	3.6
16" X 16" (406 x 406)	9	4.1
18" X 18" (457 x 457)	10	4.5
18" X 24" (457 x 609)	13	5.9
20" X 20" (508 x 508)	13	5.9
22" X 22" (558 x 558)	15	6.8
22" X 30" (558 x 762)	17	7.7
22" X 36" (558 x 914)	19	8.6
24" X 24" (609 x 609)	17	7.7
24" X 30" (609 x 762)	19	8.6
24" X 36" (609 x 914)	24	10.9
* 24" X 48" (609 x 1219)	31	14.1
* 36" X 36" (914 x 914)	33	14.9

* For ceilings only



Description and Material specification

- Material:** 16 gauge steel frame and door.
- Hinge:** Concealed double arm pantograph system.
- Lock / latch:** Concealed magnets for locking mechanism.
- Finish:** High quality white powder coat finish.
- packaging:** Individually wrapped. 1 per box.

popular options For complete list of options go to: www.BestAccessDoors.com

- Material:** Galvanneal steel
- Lock:** screwdriver cam latch, key operated cylinder cam latch, hex head cam latch, pinned hex head cam latch, handle operated cam latch, mortise preparation for cylinder (cylinder optional), ring/tool key operated slam latch.
- Gasket:** Neoprene gasket
- retaining cables**



Project data

PROJECT NAME:	QTY	W	H	OPTIONS
ARCHITECT:				
DEALER:				
CONTRACTOR:				
LOCATION:	SPECIAL INSTRUCTIONS:			
DATE:				
TAGGING INSTRUCTIONS:	SUBMITTAL APPROVAL: (signature or stamp)			