



Quality Access Doors - FAST!

SUBMITTAL/TECHNICAL DATA SHEET

DESCRIPTION

A premium flush mount supply vent cover for a 6" diameter duct. Complete with diffuser flaps to control your air flow, this cover fits into the drywall opening of 10.25"x10.25" and has 7 slots over the 6"d.

APPLICATION

- Designed for 1/2" and 5/8" thick drywall.
- Suitable for both wall and ceiling installation.
- Screws directly to your framework (studs or joists) to allow it to be flush.
- Finish taping and seaming the perimeter edge with your drywall.
- (PRO TIP: remove the magnetic insert to avoid drywall compound getting in the slots).
- Prime your wall and paint it to your wall colour.
- The product comes primed white and ready for your paint colour.

FEATURES

- Magnetic removable triple fibre reinforced cement board grill.
- 18 gauge galvanized satin coat adjustable diffuser.
- 4 rare earth magnets (0.250" diameter x 0.060" thick).
- Easy installation, primed and ready to paint.
- Straight radial vent slots.
- Impact Resistant.
- Moisture and Water Resistant, Mold Resistant.
- Eco-Friendly Manufacturing and Non-Hazardous.

SPECIFICATIONS

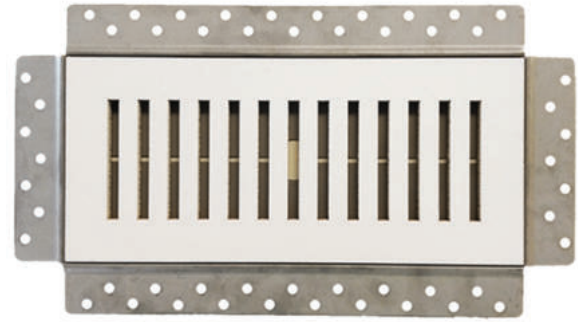
- Over 12.5 square inches (80.64 square centimeters) of open area.
- Slot Size 0.378" (9.6mm) x length at 6"d radial arch.
- 7 rectangular straight radial slots.
- Overall dimensions are 10" x 10" x 0.54" (254mm x 254mm x 13.7mm).
- Product weight is 1.1 pounds (0.5 kilograms)

For a complete list of options visit www.BestAccessDoors.com

SKU: **BA-IG-RS6**

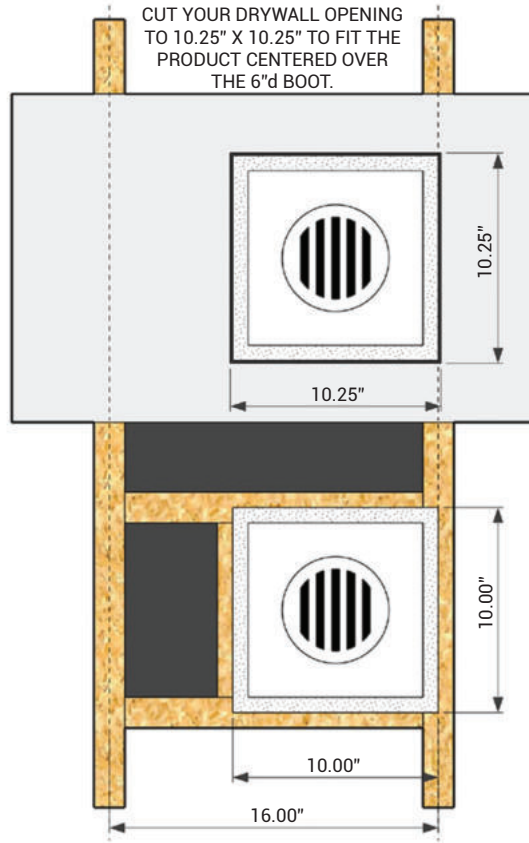
WALL AND CEILING SUPPLY VENT

REMOVABLE AND MAGNETIC



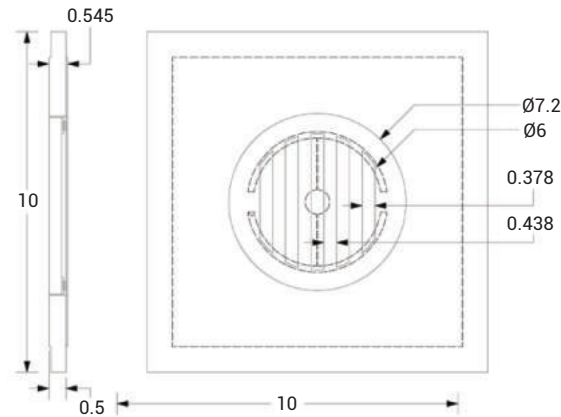
DIMENSIONS AND APPEARANCE

>> [CLICK TO VIEW ADDITIONAL DETAILS AND PRICING <<](#)



MATERIAL INFORMATION:

Raw Material: cement, fibres, quartz sand, non-hazardous fillers.
 Density: $1.0 < D \leq 1.2 \text{ g/cm}^3$
 Asbestos Content: 100% asbestos-free
 Fire resistance: non-combustible
 Water Absorption: $\leq 40\%$
 Resistant Bending Strength: $\leq 10.5 \text{ MPa dry}$
 Moisture Movement: 0.25 %
 Freeze Thaw: No distortion after 25 repeated cycles of freezing and thawing .



PROJECT DATA

Custom Sizes Available - Fast!

Scan or Click



To view Pricing and Additional Product Info.

PROJECT NAME :	QTY	W	H	OPTIONS
ARCHITECT :				
DEALER :				
CONTRACTOR :				
LOCATION :	SPECIAL INSTRUCTIONS :			
DATE :				
TAGGING INSTRUCTIONS :	SUBMITTAL APPROVAL : (signature or stamp)			

TELEPHONE:
1-800-483-0823

FAX:
1-888-828-6021



228 PARK AVE. S. #76520
NEW YORK, NY, 10003



WEBSITE:
www.BestAccessDoors.com

E-MAIL:
info@bestaccessdoors.com