



Quality Access Doors - FAST!

TECHNICAL DATA SHEET

DESCRIPTIONS

Low profile, hem-strengthened Slimline vision lites mount flush to the door with self-attaching, single-sided fasteners. A minimal 1/8" protrusion provides a clean, aesthetic look. VLLP models are for standard door thickness 1-3/4" and glazing thickness 3/16" - 5/16".

SPECIFICATIONS

APPLICATION: For door thickness 1-3/4" and glazing thickness 3/16" - 5/16"

FRAME MATERIAL: 20 gauge cold rolled steel

STANDARD FINISH: Mineral bronze powder coat

FASTENERS: #8A x 1-1/4" Flathead Phillips screws to match finish

SIZE:
 Minimum: 4" x 4"
 Maximum: 48" x 90"
 Door Cutout = Order Size (W x H)
 Glazing Size = Order Size minus 1" (W - 1" x H - 1")
 Exposed Glazing = Order Size minus 2" (W - 2" x H - 2")

OPTIONS

MATERIALS: 20 gauge 304 Stainless steel, galvanized steel, zincplated steel

MULLIONS: 1" x 5/8" welded-on, formed mullions for a divided lite look that uses one (1) pane of glass

PAKS: Vision lite, glazing, and glazing tape combined

COMPATIBLE AIR LOUVERS

GLAZING:
 Fire-Rated: PPF, FL, FLP, FGL WS
 Non-Rated: TEMP

OTHER: Torx screws

For a complete list of options visit www.BestAccessDoors.com

SKU: **BA-VLLPB**

LOW PROFILE VISION LITES

SLIMLINE SERIES

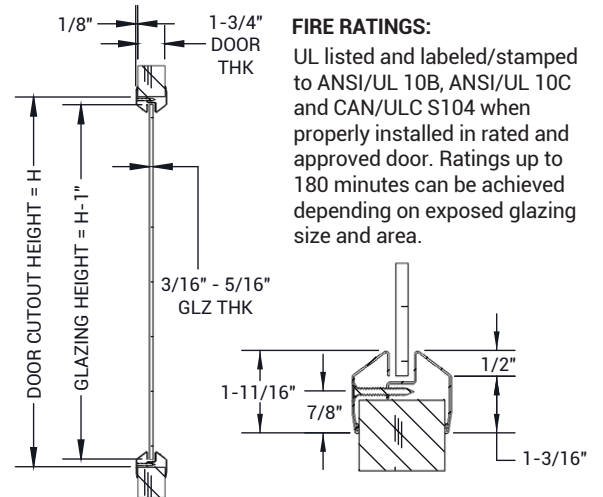
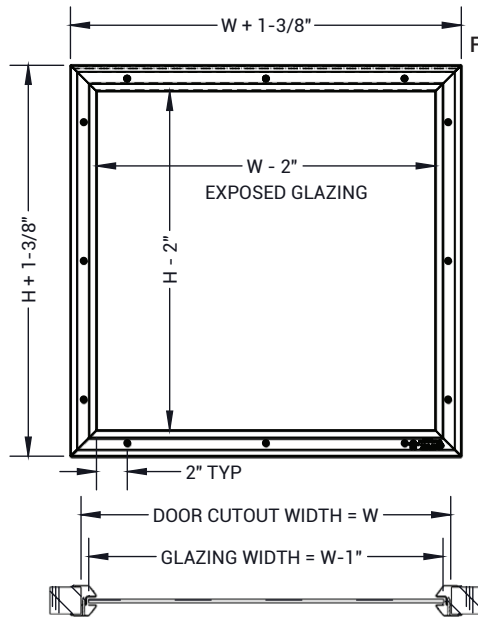


DIMENSIONS AND APPEARANCE

>> [CLICK TO VIEW ADDITIONAL DETAILS AND PRICING <<](#)

STANDARD SIZES:

MODEL	ROUGH OPENING	COLOR	MODEL	ROUGH OPENING	COLOR	MODEL	ROUGH OPENING	COLOR
VLLP-0535B	5" x 35"	Bronze	VLLP-0832B	8" x 32"	Bronze	VLLP-2424B	24" x 24"	Bronze
VLLP-0627B	6" x 27"		VLLP-0836B	8" x 36"		VLLP-2430B	24" x 30"	
VLLP-0630B	6" x 30"		VLLP-1212B	12" x 12"		VLLP-2432B	24" x 32"	
VLLP-0636B	6" x 36"		VLLP-1818B	18" x 18"		VLLP-2434B	24" x 34"	
VLLP-0722B	7" x 22"		VLLP-2060B	20" x 60"		VLLP-2436B	24" x 36"	
						VLLP-2460B	24" x 60"	
				VLLP-2462B	24" x 62"			
				VLLP-2464B	24" x 64"			
				VLLP-2466B	24" x 66"			



FIRE RATINGS:
 UL listed and labeled/stamped to ANSI/UL 10B, ANSI/UL 10C and CAN/ULC S104 when properly installed in rated and approved door. Ratings up to 180 minutes can be achieved depending on exposed glazing size and area.

PROJECT DATA

Custom Sizes & Options Available - Fast!

PROJECT NAME :	QTY	W	H	OPTIONS
ARCHITECT :				
DEALER :				
CONTRACTOR :				
LOCATION :	SPECIAL INSTRUCTIONS :			
DATE :				
TAGGING INSTRUCTIONS :	SUBMITTAL APPROVAL : (signature or stamp)			

Scan or Click



To view Pricing and Additional Product Info.

TELEPHONE:
1-800-483-0823
FAX:
1-888-828-6021



228 PARK AVE. S. #76520
NEW YORK, NY, 10003



WEBSITE:
www.BestAccessDoors.com

E-MAIL:
info@bestaccessdoors.com